



SLSS2-6

Stainless Steel Sliding Door Hardware — Barn Door Side Mount

PRODUCT CUT SHEET

Side Mount Round Track System — Track Length 78 3/4"

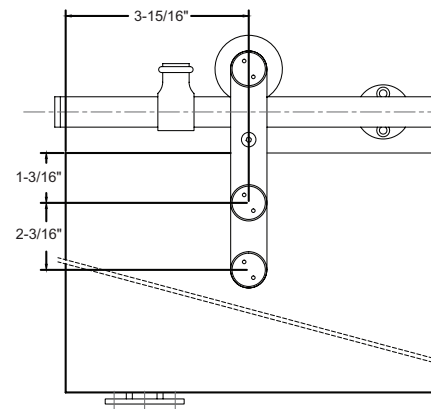
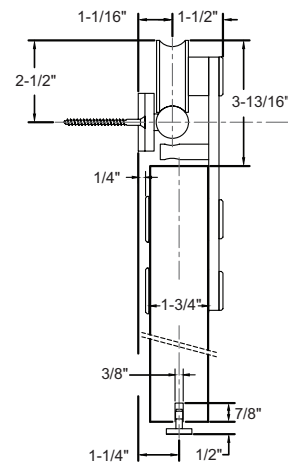


- Fits 1 3/8" To 1 3/4" Thick Door Panel
- Brushed Stainless Steel 304
- Side Wall Mount
- Nylon Coated Stainless Steel Wheels for Smooth Operation
- Max Weight Load 220 lbs.
- ANSI/BHMA A156.14 Grade 1 Certified to 100,000 Cycles Including Soft Close Feature
- 5-year Warranty
- Order Two Sets for Bi-parting Applications

Complete Kits Include:

- | | |
|-------------|-----------------|
| (1) Track | (2) Door Stops |
| (2) Hangers | (1) Floor Guide |

SLSS2-6 includes: (5) Wall Attachments



Note: For Door Sizing Refer to Installation Instruction.

PROJECT:

SUBMITTED BY:

DATE:

NOTES:



NGP-SLSS2-6-PCS-0320-A