



# SLAL-250-BP

Aluminum Sliding Door Hardware — By-Pass

## PRODUCT CUT SHEET

PROJECT:
SUBMITTED BY:
DATE:
NOTES:

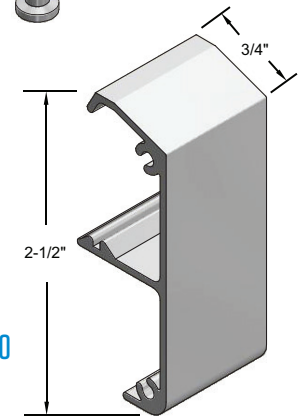
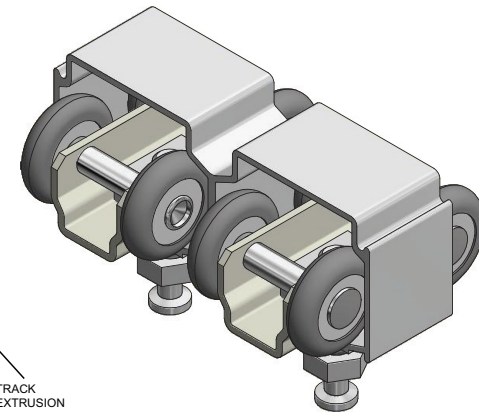
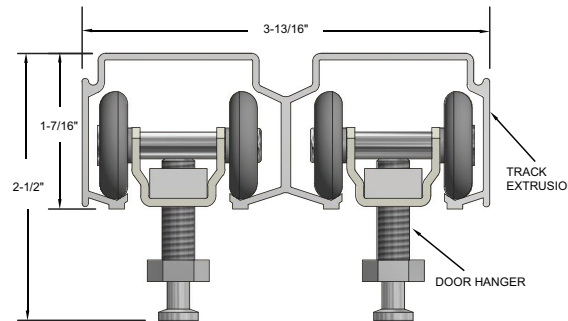
### Top Mount Track System



- ▶ Commercial Grade for 1 $\frac{3}{8}$ " To 1 $\frac{3}{4}$ " Doors
- ▶ Max Weight Load 250 lbs.
- ▶ ANSI/BHMA A156.14 Grade 1 Certified to 100,000 Cycles Including Soft Close Feature
- ▶ Hangers with Heavy Duty Ball Bearing Wheels
- ▶ 5-Year Warranty
- ▶ Track comes in 48", 60", 72" and 96" Lengths

#### Complete Kits Include:

- (1) Track – Clear Anodized
- (2) Universal Hardware Packs, Each Consist Of:
  - (2) Ball Bearing Heavy Duty Hangers
  - (2) Snap-In Door Brackets
  - (2) In-Track Stops
  - (1) Angle Stop
  - (1) Bumper Stop
  - (1) Door Guide
  - Heavy Duty Floor Guides



Includes End Caps

#### OPTIONS:

- ▶ Soft Close / Open – Specify “SCBY”  
For Both Directions Order (2) Sets SCBY
- ▶ Bottom Channel Guide SL-BCG
- ▶ Snap-On Fascia (SL-SQ20) –  
Clear Anodized

Note: For Door Sizing Refer to Installation Instruction.

NGP-SLAL-250-BP-PCS-0920-B