



**112HD Full mortise - narrow frame and door leaf**

- For 1 3/4" doors
- Spread bearing design
- Non Handed for custom cut lengths
- Flush mounted, no inset
- 48" Maximum door width
- Beveled or square edge doors
- For doors weighing up to 450 pounds without reinforcing, 600 pounds with reinforcing

**Certifications**

- Meets ANSI 156.26 for 150lbs
- UL10C certified

**Standard lengths**

- 83", 85", 95", 120"

**Standard Mounting Hardware**

- 12-24 x 3/4" Steel self drilling / self tapping phillips head screw

**Finishes**

- Clear Anodized (US28), Dark Bronze Anodized (313AN)

Custom anodizing and painting are available, consult factory.

**Options:**

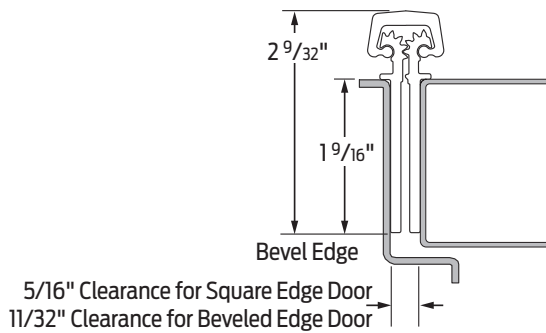
- EPT .....Electric power transfer

**Optional mounting hardware:**

- SECHM.....Security screws - hollow metal door and frame
- SECWDHM.....Security screws - 1/2 wood, 1/2 hollow metal
- SECWDWD .....Security screws - wood door and frame
- TF .....Thread forming screws
- TEKWD .....1/2 self drill, self tap 1/2 wood
- WD.....Wood door and frame

**For single door applications:**

For pairs of doors see chart and general information



Hinges & pivots **A31**

Pulls & plates **B**

Flush bolts & coordinators **C**

Latches, catches & bolts **D**

Stops **E**

Exterior hardware **F**

Miscellaneous hardware **G**