



2720 Tobey Drive, Indianapolis, IN 46219
 Tel 1-877-671-7011 ■ Fax 800-851-0000
 Zero.Customer.Support@allegion.com
 www.zerointernational.com

Part No:

367

Part description:

Automatic door bottom
 Heavy duty

Notes:

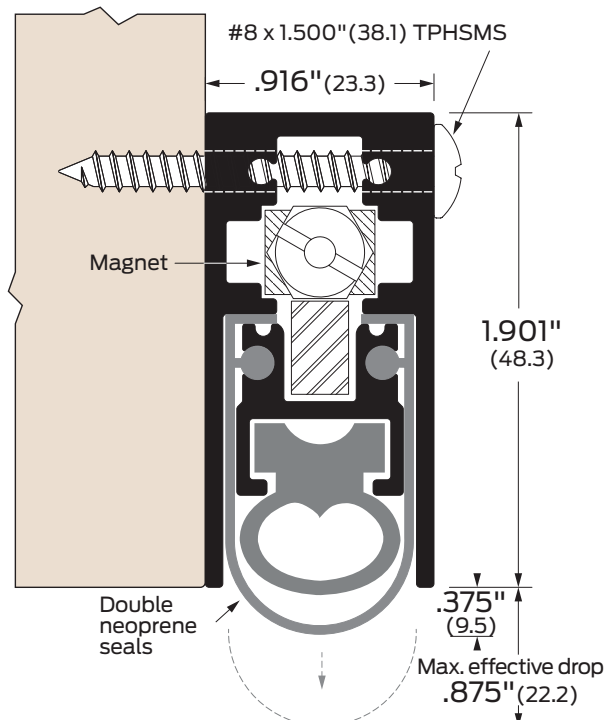
Provided by:

Customer name:

Job no:

Date:

Image may not be shown to scale



Notes:

Surface-mounted. Supplied with double solid neoprene seal.
 Magnet feature only on ADBs 24" and over.

Certifications:

- Fire rated-UL10c
- Sound

ANSI/BHMA:

367AA, 367BK, 367D, 367G

R3B3341

Finishes:

- AA** Aluminum clear anodized
- BK** Aluminum black anodized
- D** Aluminum dark bronze anodized
- G** Aluminum gold anodized

Options:

- PL** Pull out
- SEC** Torx security screws
- LK** Locking key
- NH** No holes

