

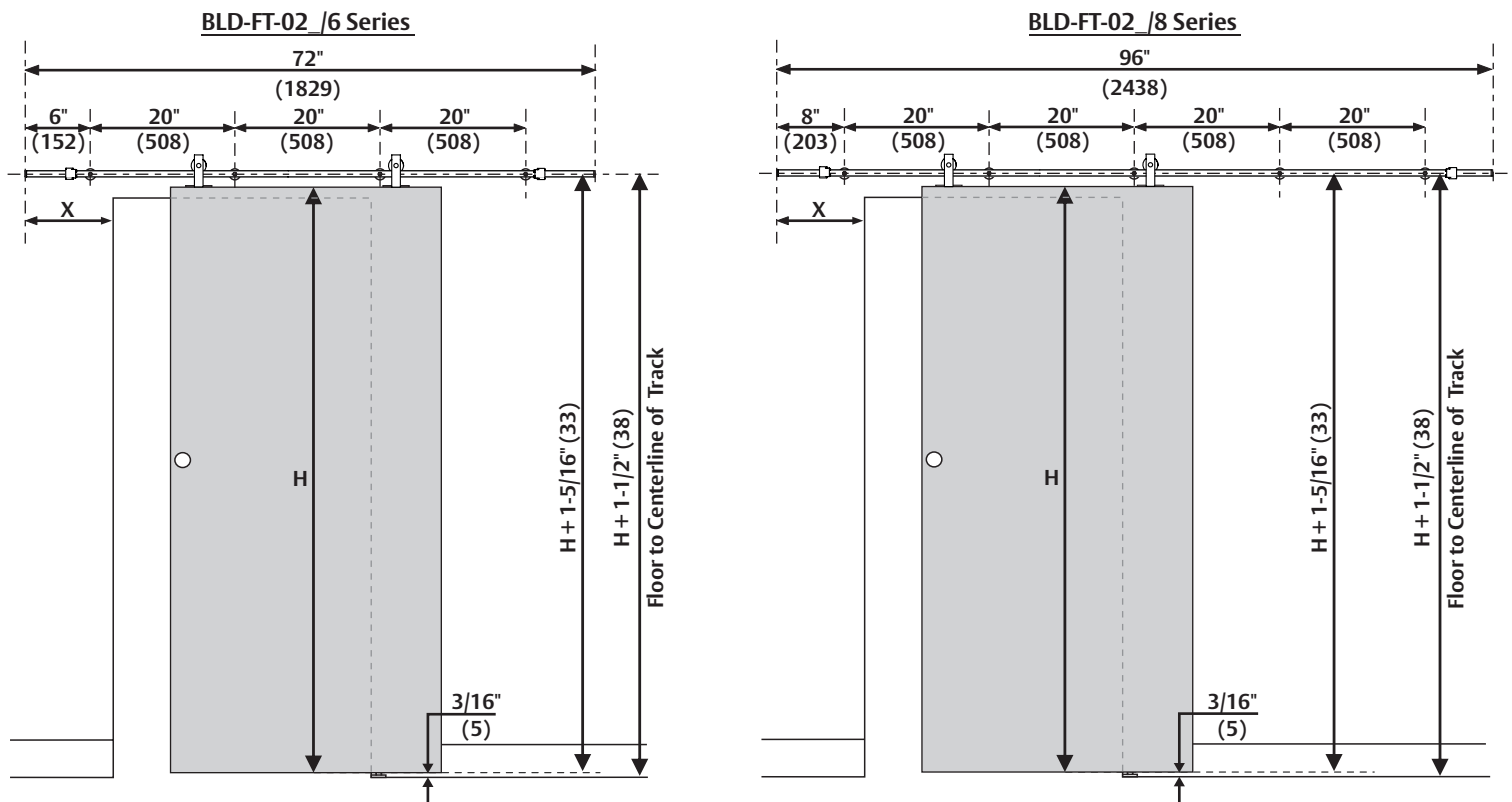
Architectural Door Accessories

ASSA ABLOY

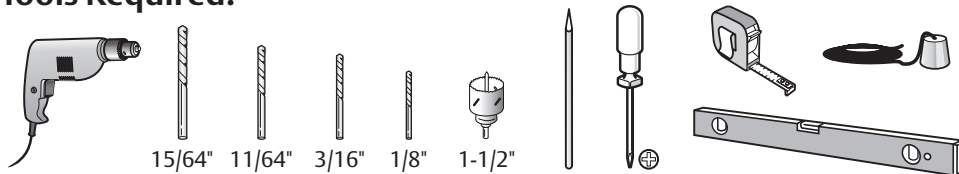
Pemko BLD-FT-02 Builders Series

The global leader in
door opening solutions

WARNING: Must be installed into wall blocking.
If you have questions about what type of wall blocking is required, consult a structural engineer.



Tools Required:

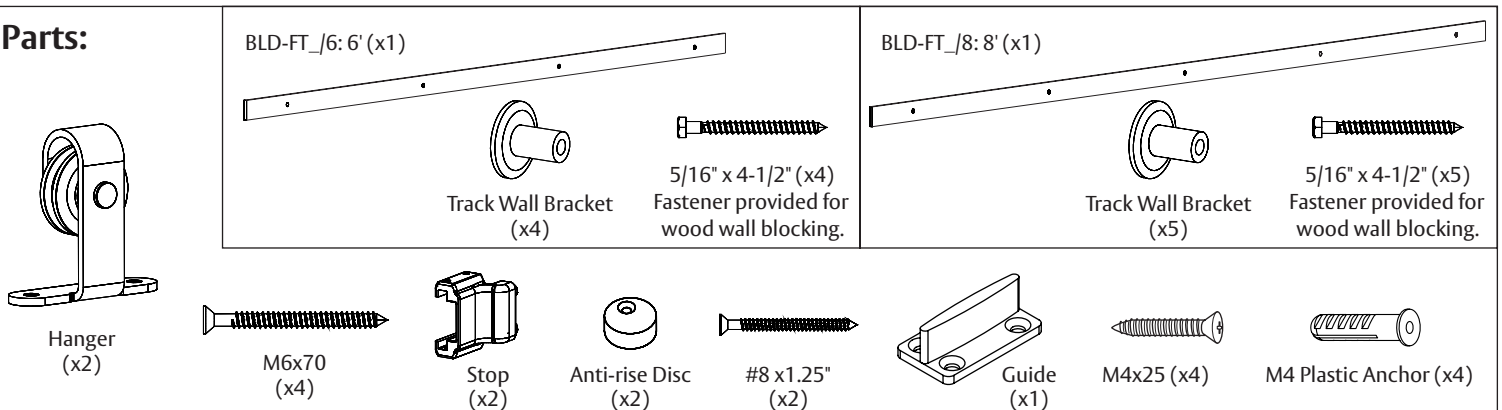


Dimensions shown: Inches (mm)

Notes:

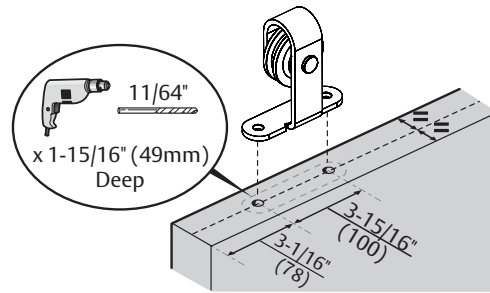
1. "X" = Door Overlap
2. Minimum door overlap on guide side is 2" (51).
3. **Must be installed into wall blocking. If you have questions about what type of wall blocking is required, consult a structural engineer.**

Parts:



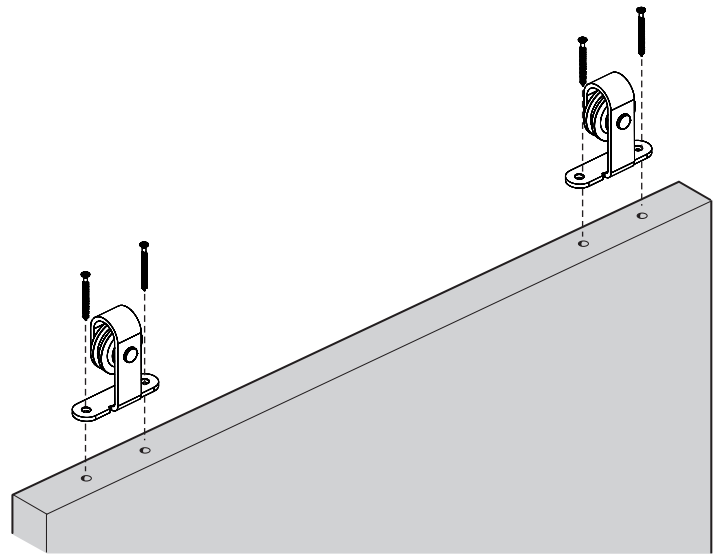
1. Prepare door for hangers.

Using 11/64" drill bit, drill pilot holes in door for hanger screws as shown. Ensure pilot holes are centered in door thickness.



2. Mount hangers to door.

Mount hangers to door using M6x70 screws.



3. Install anti-rise discs.

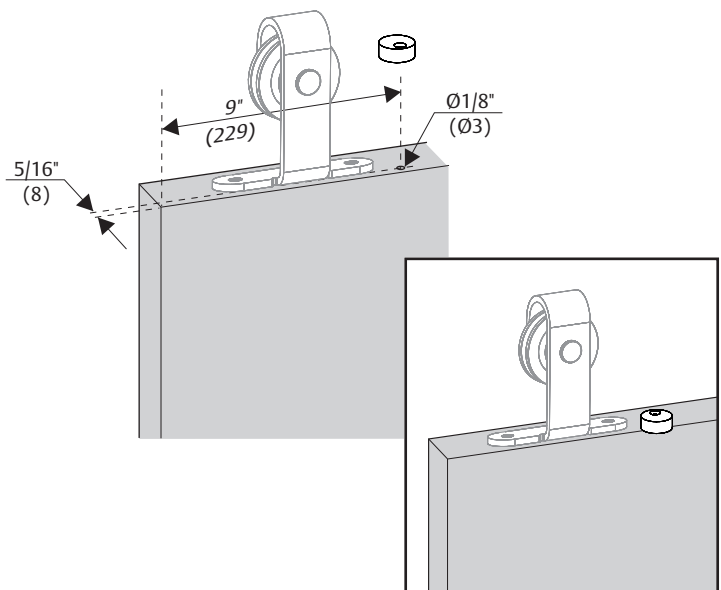
NOTE: If using soft close device, do not install anti-rise disc.

9" in from door edge and 5/16" in from front face of door, drill 1/8" pilot hole for anti-rise disc mounting screw.

Mount anti-rise discs using #8x 1.25" screws.

Rotate anti-rise disc toward front face of door as shown.

Do not tighten screw at this time.



ASSA ABLOY

The global leader in
door opening solutions

Copyright © 2018, ASSA ABLOY Accessories and Door Controls Group, Inc. All rights reserved. Reproduction in whole or in part without the express written permission of ASSA ABLOY Accessories and Door Controls Group, Inc. is prohibited.

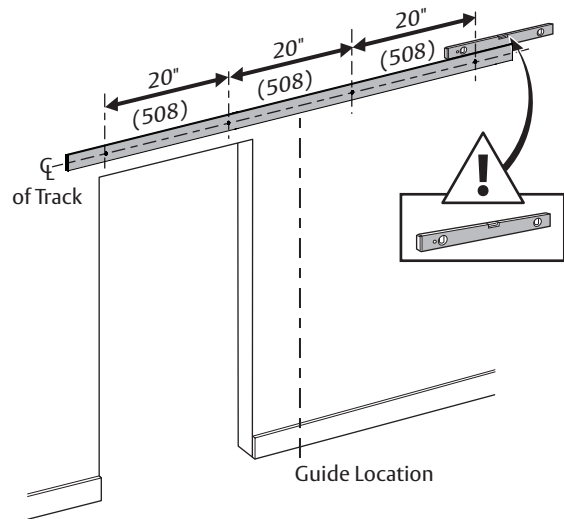
81043 10/18

2

4. Mark for track.

At center of door's travel location (guide location), locate center line of track using formula on first page.

Using the track as a template, and using a level, mark screw locations on wall as shown.



5. Secure track.

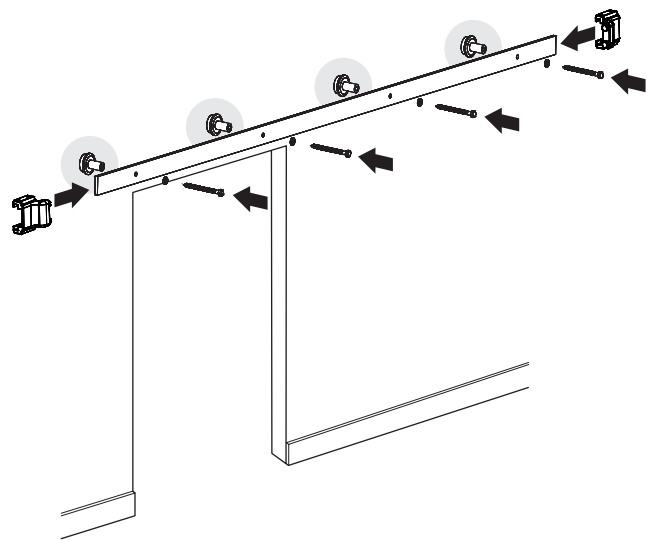
Drill 3/16" pilot holes in marked locations for track fasteners.

If applying track to gypsum board, use 1-1/2" hole saw to remove gypsum board at bracket locations. Use appropriate spacer kit, sold separately, to replace gypsum board removed by 1-1/2" hole saw.

Attach track to wall using track brackets and fasteners as shown.

Insert stops onto track ends.

Do not tighten stops at this time.

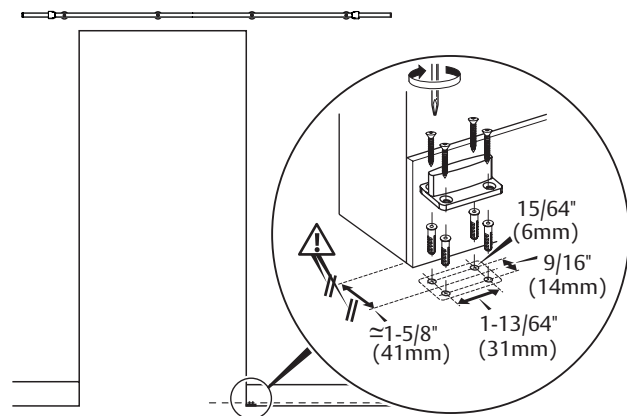


6. Fit door guide to floor.

Using the door guide as a template, position and mark screw locations.

Drill pilot holes for anchors using 15/64" drill bit.

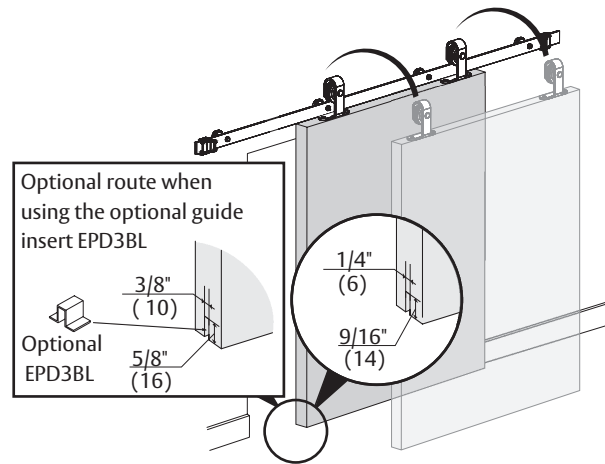
Mount guide to floor with anchors and M4x25 screws.



7. Hang door.

Route bottom of door to receive floor mounted guide as shown.

Lift door onto track.

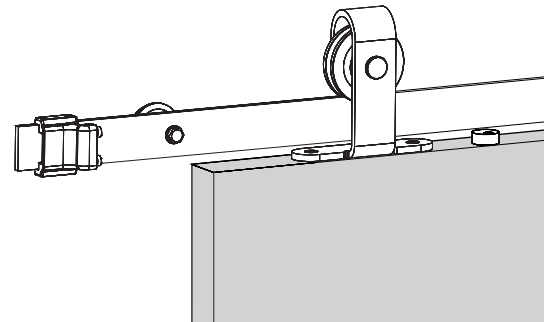


8. Adjust anti-rise discs.

NOTE: If using soft close device, please refer to soft close installation instructions at this time.

Rotate anti-rise discs to be under track and completely on top edge of door as shown.

Ensure screw is tightened.



9. Adjust stops.

Adjust stops accordingly.

Tighten set screws. Start with bottom set screws then move to top set screws with sufficient force to drive set screws into bar after final adjustment.

