

STANDARD Z-BLADE LOUVER: 900 SERIES

L5

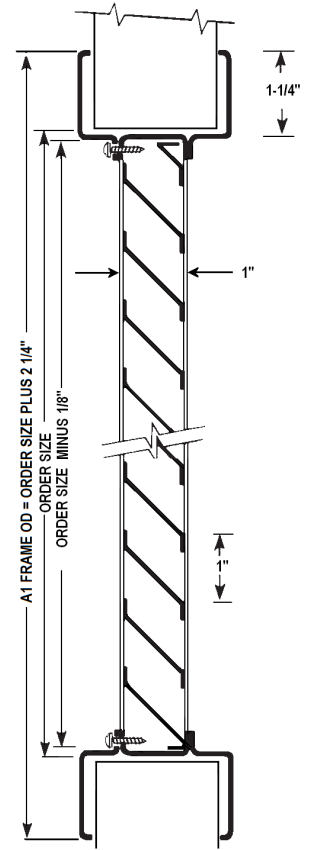
Standard "Z" Blades Recommended for Schools, Class "A" and Institutional Buildings.



SPECIFICATIONS:

Material:	18 gauge CRS frame and blades. Min size 6" x 4", Max 48" x 80". Multiple sections can be combined for larger sizes	
Construction:	Louvers: "Z" blades with 1" blade spacing are attached by interlocking construction to the 1" deep, welded frame. Non-vision. 900A1 Frame: 1-1/4" trim, mitered and welded corners. Screws fasten through frame into louver core, leaving corridor side of frame free of fasteners.	
Door:	_____ 1-3/4" - A1 Style. _____ 1 3/8"-1 3/4" - 900CORE, 900C, 900A	Door cutout = order size.
Mounting Options:	_____ Select one mounting option from table below.	
Fasteners:	Phillips head screws #8 x 3/4" to match finish.	
Powder Coat Finishes:	_____ (B) Mineral Bronze (standard color) _____ (G) Gray _____ (BK) Black _____ (FBK) Flat Black _____ (W) White _____ (SB) SC Beige _____ (SI) Silver _____ (S) Sand _____ (AB) AMS Beige _____ (BRA) Brass Color Samples Online	
Free Flow Area:	43% free area.	

900A1 Mounting Option Shown Photo & Drawing



OPTIONAL FEATURES AT AN ADDITIONAL COST:

Finishes & Materials:	_____ (S) 18 gauge stainless steel, #4 finish _____ 16 gauge Cold Rolled Steel _____ (J) Galvanneal sheet for exterior use and corrosion-resistance _____ (E) Electro Galvanized for corrosion resistance & exterior use .
Fasteners:	_____ Torx _____ Other: _____
Screen:	_____ 18x14 mesh insect screen installed in roll-formed aluminum frame to corridor side for A1 style. CORE, C and A styles installed on room side. _____ aluminum _____ bronze _____ fiberglass _____ stainless _____ Bird Screen.
Custom:	Custom sizes, other door thicknesses— contact customer service.

Order Format: 900 _____
Example: 900C 1212AB A,A1,CORE,C Option S,J,E W H Color

DOOR MOUNTING OPTIONS - SELECT ONE

900A1: Self-attaching, vandal-proof design; basic blade unit with flanged frame welded to face (corridor) side and separate removable flanged frame on opposite side; fits 1-3/4" door only.	
900CORE: Basic blade unit only; for interior door or as transom louver held in place with wood or metal moulding (furnished by others); any door size.	
900C: Basic blade unit with single flanged frame welded to face (corridor) side. Wood or metal moulding (by others) used on opposite side; fits any size door.	
900A: Basic blade unit with flanged frame welded to face (corridor) side and separate flanged frame on opposite side; frame adjustable to fit any door thickness from 1-3/8" to 1-3/4".	

	Distributor: _____	Width: _____ x Height: _____
	Architect: _____	Quantity: _____
	Contractor: _____	Model: _____
	Project: _____	Date: _____ Version: ALPDS1901
800-554-6077 QUOTES@ACTIVARCPG.COM ORDERS@ACTIVARCPG.COM SALES@ACTIVARCPG.COM FAX: 952-835-2218 VISIT WWW.ACTIVARCPG.COM FOR THE MOST UPDATED PRODUCT INFORMATION © 2019 ACTIVAR CONSTRUCTION PRODUCTS GROUP, INC Mfg: COMMERCE CA, BLOOMINGTON, MN • WAREHOUSES: LANCASTER PA, ATLANTA GA, CHICAGO IL, SEATTLE WA, FORT MYERS FL, DALLAS TX, FARGO ND, OMAHA NE		