

# DORMA ES62F 3 hour fire-rated rim electric strikes are completely surface mounted, eliminating frame cutting.

Designed especially to operate with rim exit devices, this rugged stainless steel strike accommodates hollow metal, aluminum, and wood doors.

The one piece conventional keeper design promotes even load distribution in the event of attempted forced entry. The heavy-duty housing of the ES62F is reinforced to eliminate twisting in the case of imperfect frames. The smooth radiused corners are esthetically pleasing, while reducing personal injury due to catch hazards.

## DORMA Solutions

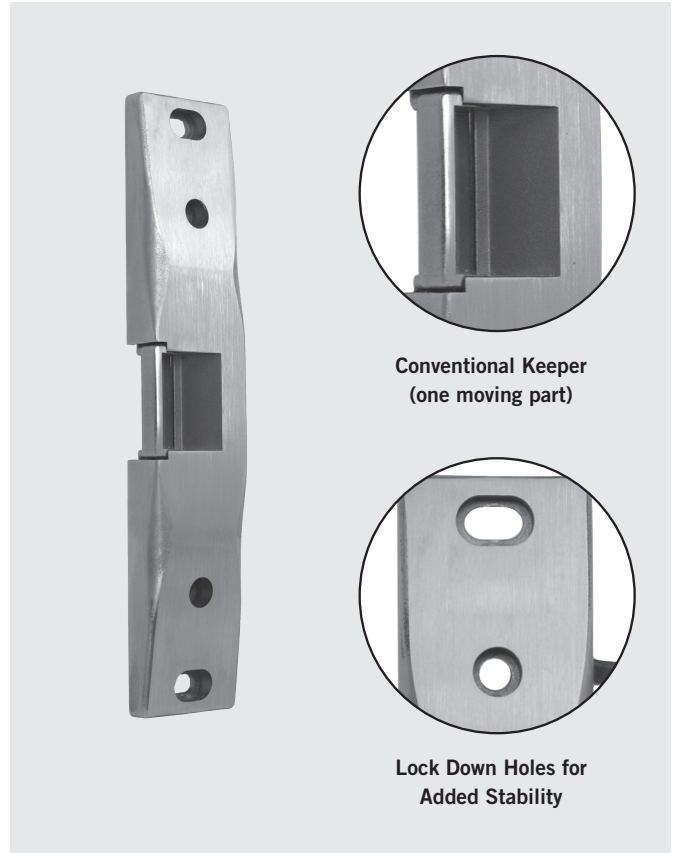
- 1500 lb (680 kg) holding force
- No frame cutting required—surface mounted
- Conventional keeper design—promotes even load distribution
- Higher grade stainless steel ensures superior keeper strength
- Compatible with most exit devices
- Accommodates exit devices with latch projections from 1/2" to 3/4" (12.7 mm to 19.1 mm)
- Ensures proper latch alignment with horizontal adjustment up to 1/4" (6.4 mm) to compensate for door misalignments
- Field selectable voltage input—12 or 24 VDC, 12 to 24 VAC, 11 to 16 VAC
- Horizontal solenoid prevents manipulation from the vibration
- Modular **plug-in** wire connectors for fast hook-up
- 630 stainless steel finish
- Non-handed
- Allen head cap screws for added support and tamper-resistance
- Mounting spacer include to provide enhance to latch engagement

## Listings & Approvals

- UL/CUL listed under their continuing reinspection programs and conforms to standards UL 1034 and CVXY for burglary resistant electric door strikes, UL10C GXAY for positive pressure fire testing, 3 hour rated
- ANSI/BHMA 156.31, Grade 1 pending
- CSFM pending
- Contributes to U.S. Green Building Council, LEED® MR Credits 2.1, 4.1, 4.2, and 5.1

## Options & Accessories

- **62DPH**—Double door housing
- **MSK62**—Mounting spacer kit 1/16" (1.5 mm ) (Additional spacer included)



## ES62F Specification

Mode	Voltage	Current	Duty	Sound	Amps	Ohms
Fail Secure	12	AC	Intermittent	Buzz	0.33	22
	12	DC	Continuous	Silent	.50	22
Fail Secure	24	AC	Intermittent	Buzz	.64	22
	24	DC	Continuous	Silent	.24	89
Fail Secure	11	AC	Intermittent	Buzz	.32	22
	16	AC	Intermittent	Buzz	.50	22

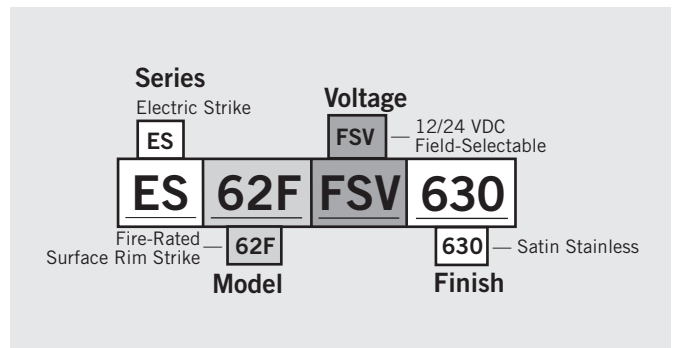
AC = Alternating current

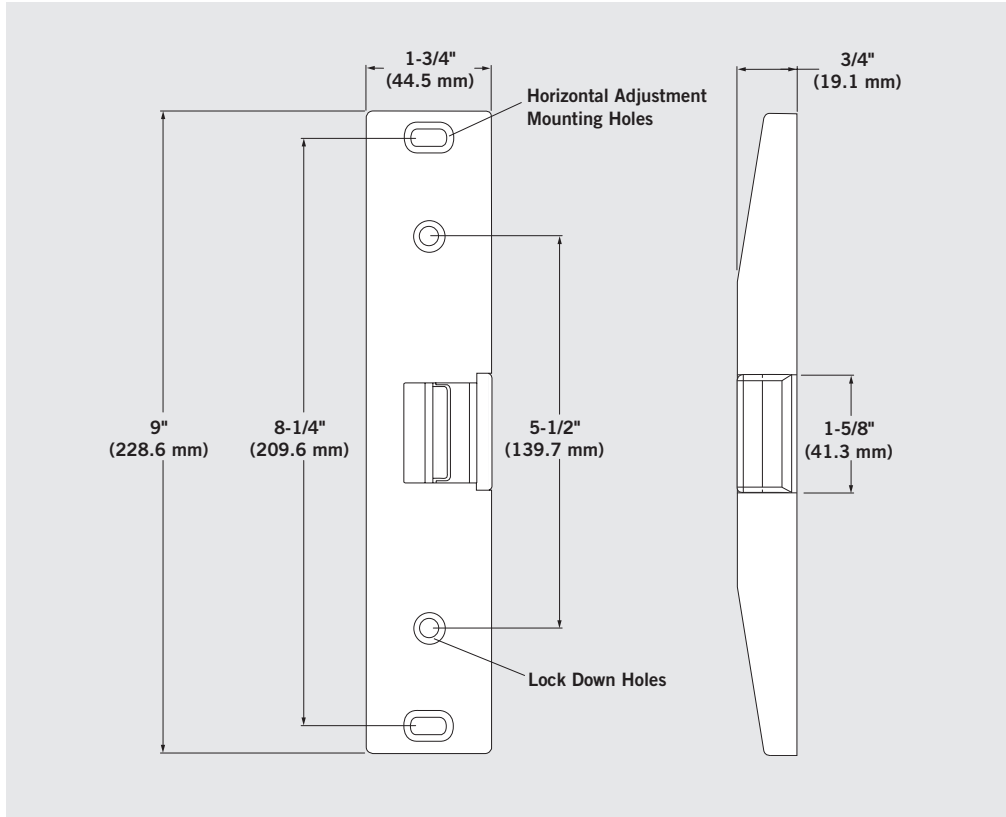
Intermittent duty = energized less than 1 minute with duty ratio 1:5.

DC = Direct Current

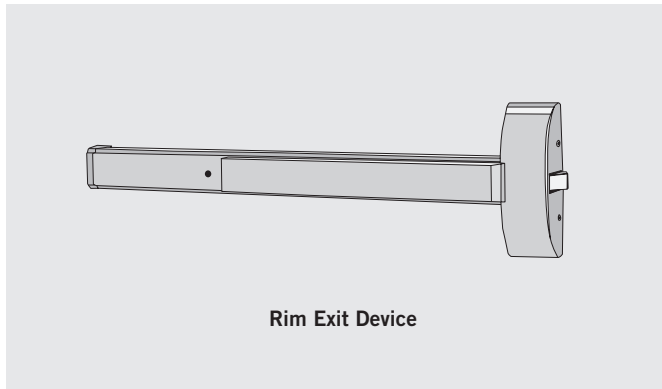
Continuous duty = energized 1 minute or more

## How to Order ES62 Series

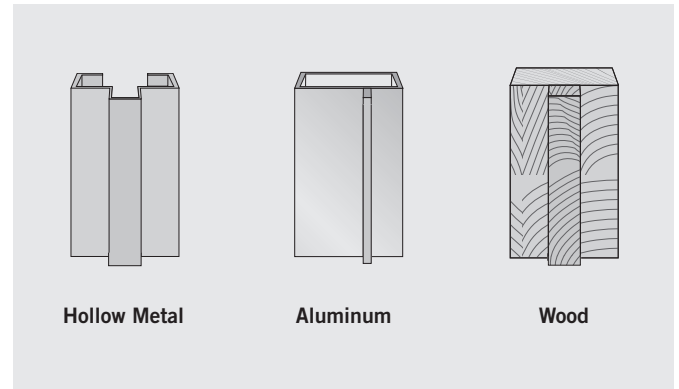




Door Lock Type



Door Frame Type



DORMA also offers a complete line of Electromagnetic Locks, Electric Strikes, Door Controls, Power Supplies, Switches, Keypads & Readers, Exit Devices, Systems & Door Hardware.

**DORMA Americas**  
www.dorma-usa.com

**DORMA**  
DORMA Drive, Drawer AC  
Reamstown, PA 17567-0411  
Tel: (800) 523-8483  
Fax: (800) 274-9724  
archdw@dorma-usa.com

**DORMA Canada**  
1680 Courtney Park Drive, Unit 13  
Mississauga, Ontario L5T 1R4  
Tel: (800) 387-4938  
Fax: (905) 670-5850  
sales@dormacanada.com

**DORMA Mexico, S. de R.L. de C.V.**  
Calle Sur 110, no. 63, Col. Tolteca  
01150 México, D.F.  
Tel: (52+55) 5272-6937  
Fax: (52+55) 5272-6948  
operacion@dorma.com.mx