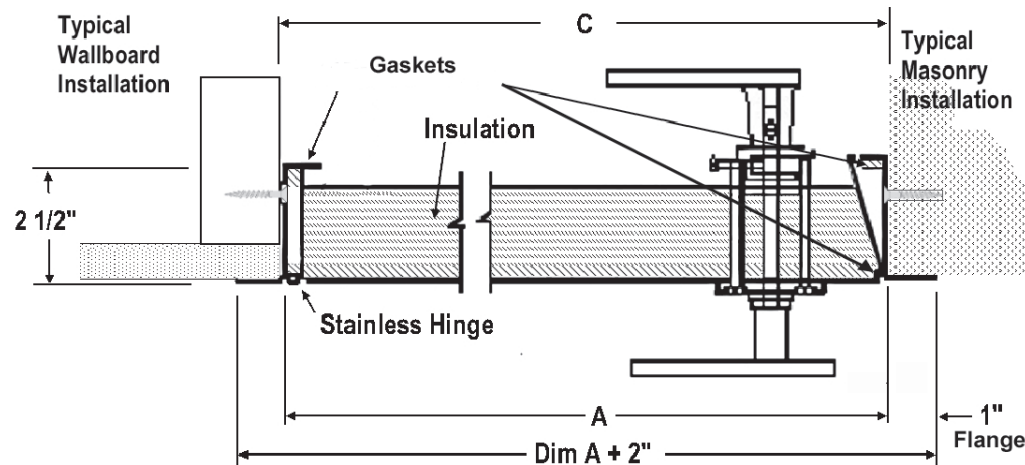


## WALLBOARD

1. With metal or wood studding, install a framed opening at specified location. Opening dimensions should be 3/8" larger than the frame I.D. of the panel; i.e., for a 12" x 12" panel, opening should be 12-3/8" x 12-3/8".  
**WALL OPENING (C) = ORDER SIZE (A) + 3/8"**
2. Frame all four sides of the access panel. On panels larger than 16" x 16", install a double stud on both sides in the same manner as at passage panels.
3. Place panel in position in opening and mark location of attachment on studding using holes in all four sides of panel frame as marking guide.
4. Remove panel and drill 5/32" holes through studs at marked points. Four attachment holes for panels 32" x 32" and smaller; six attachment holes for larger panels.
5. Place panel in position and attach with #10 sheet metal or machine screws.
6. Check panel for freedom of movement. If it binds, shim as necessary to remove any racking of frame at attachment to studding.
7. Use proper sealant around the screws and behind the flange to provide adequate closure between wall and panel.

## MASONRY

1. Opening should be planned to dimensions 3/8" larger than door size of panel; i.e., for a 12" x 12" panel, opening should be 12-3/8" x 12-3/8".  
**WALL OPENING (C) = ORDER SIZE (A) + 3/8"**
2. Position the panel in the wall opening provided for it and mark location of attachments on wall using holes in latch and hinge sides of panel frame as marking guides.
3. Remove panel and install expansion shields in wall at marked points. Install four for panels 32" x 32" or smaller, six for larger panels.
4. Place panel in position and attach with #10-32 x 1" long flat head steel machine screws or equivalent.
5. Check panel for freedom of movement. If it binds, shim as necessary to remove any racking of frame at attachments to masonry.
6. Use mortar between frame of panel and block wall to provide a complete closure around frame of panel. Use adequate sealant around the screws.



**ACTIVAR** INC.  
CONSTRUCTION PRODUCTS GROUP



JL INDUSTRIES

800-554-6077 952-835-2218 sales@activarcpg.com www.activarcpg.com

Headquarters: 9702 Newton Ave S. Bloomington, MN 55431

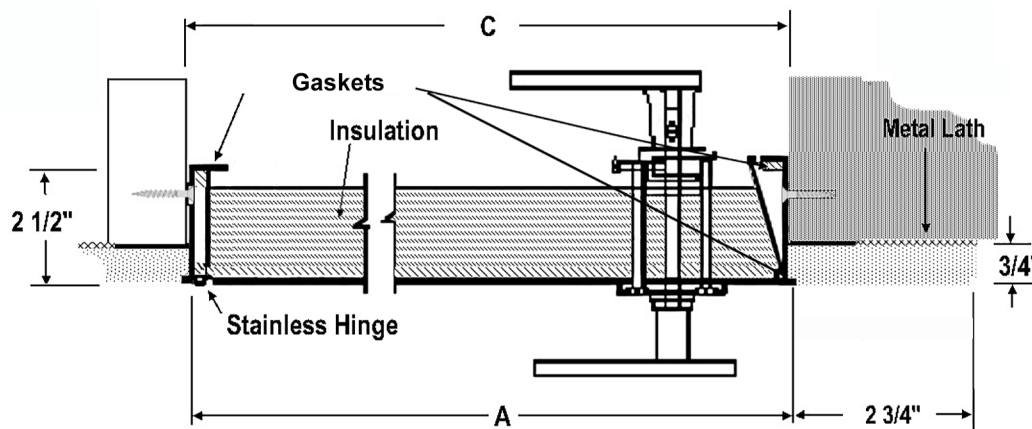
Manufacturing: Minnesota & California

Warehouses: Florida, Texas, Pennsylvania, Georgia, Illinois, Washington, Nebraska & North Dakota

## INSTALLATION INSTRUCTIONS

## PLASTER AND STUCCO - 3/4" RECESSED TRIM FLANGE WITH METAL LATH

1. With metal or wood studding, install a framed opening at specified location. Opening dimensions should be 3/8" larger than the frame I.D. of the panel; i.e., for a 12" x 12" panel, opening should be 12-3/8" x 12-3/8".  
**WALL OPENING (C) = ORDER SIZE (A) + 3/8"**
2. Frame all four sides of the access panel. On panels larger than 16" x 16", install a double stud on both sides in the same manner as at passage panels. Panel lath trim is recessed 3/4" for plaster and stucco.
3. Place panel in position in opening and mark location of attachment on studding using holes in all four sides of panel frame as marking guide.
4. Remove panel and drill 5/32" holes through studs at marked points. Four attachment holes for panels 32" x 32" and smaller; six attachment holes for larger panels.
5. Place panel in position and attach with #10 sheet metal or machine screws.
6. Check panel for freedom of movement. If it binds, shim as necessary to remove any racking of frame at attachment to studding.
7. Use proper sealant around the screws and behind the flange to provide adequate closure between wall and panel.
8. Apply layers of plaster over metal lath and flange. After smoothing plaster, only a slit around the 3 door edges and painted hinge will show.



800-554-6077 952-835-2218 sales@activarcpg.com www.activarcpg.com

Headquarters: 9702 Newton Ave S. Bloomington, MN 55431

Manufacturing: Minnesota & California

Warehouses: Florida, Texas, Pennsylvania, Georgia, Illinois, Washington, Nebraska & North Dakota

## INSTALLATION INSTRUCTIONS