

STEP 1 SELECT MODEL:

___ Model XPA - R value 5.7

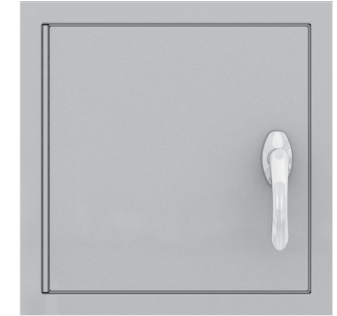
Frame: 16 ga. galvaneal steel.
 Door: 2" Thick insulated .040 aluminum door with continuous stainless hinge. R value 5.7
 Gaskets: Adhesive backed EPDM foam and silicone rubber seals on frame and door.
 Finish: White powder coat paint.
 Handle: (H2) Non-locking, plastic with chrome finish.

___ Model XPS Stainless steel - R value 5.7

Frame: 16 ga. Stainless steel.
 Door: 2" Thick insulated 20 ga. Stainless steel door with continuous stainless hinge.
 Gaskets: Adhesive backed EPDM foam and silicone rubber seals on frame and door.
 Finish: 304 Stainless - No. 4 finish
 Handles: (H2) Non-locking, plastic with chrome finish.



XPA



XPS

STEP 2 SELECT SIZE FROM TABLE BELOW OR ENTER OTHER SIZE:

Sizes: ORDER SIZE IS FRAME ID. Minimum 8" x 8", maximum size 48" x 48"

___ Other Size ___ W x ___ H

STEP 3 SELECT OPTIONAL FEATURES AT ADDITIONAL COST:

- ___ (H3) Locking, plastic with chrome finish
- ___ (H4) Removable flush locking handle
- ___ Rainhood (-R)
- ___ Optional Color Code - See colors below

Order Format Example: XPA-1212H2W

XP -___ ___ ___ ___ -___
XPS Width Height Lock (H2 std H3 or H4) Color Other Options

B-Bronze	R-Red	BK-Black	S-Sand	AMS-AMS Beige	SB-Flat Beige	G-Gray	SI-Silver
----------	-------	----------	--------	---------------	---------------	--------	-----------

QTY	Size (A)	Wall Opening	Handles	Approx Ship Weight in lbs.	QTY	Size (A)	Wall Opening (C)	Handles	Approx Ship Weight in lbs.
	12" x 12"	12-3/8" x 12-3/8"	1	11		24" x 30"	24-3/8" x 30-3/8"	2	40
	14" x 14"	14-3/8" x 14-3/8"	1	15		24" x 36"	24-3/8" x 36-3/8"	2	42
	18" x 18"	18-3/8" x 18-3/8"	1	19		24" x 48"	24-3/8" x 48-3/8"	2	57
	20" x 24"	20-3/8" x 24-3/8"	1	30		30" x 30"	30-3/8" x 30-3/8"	2	44
	20" x 30"	20-3/8" x 30-3/8"	2	32		30" x 36"	30-3/8" x 36-3/8"	2	56
	22" x 30"	22-3/8" x 30-3/8"	2	34		36" x 36"	36-3/8" x 36-3/8"	2	61
	22" x 36"	22-3/8" x 36-3/8"	2	40		36" x 48"	36-3/8" x 48-3/8"	2	75
	24" x 24"	24-3/8" x 24-3/8"	1	27		48" x 48"	48-3/8" x 48-3/8"	2	108



800-554-6077 952-835-2218 sales@activarcpg.com www.activarcpg.com

Headquarters: 9702 Newton Ave S. Bloomington, MN 55431
 Manufacturing: Minnesota & California
 Warehouses: Florida, Texas, Pennsylvania, Georgia, Illinois, Washington, Nebraska & North Dakota

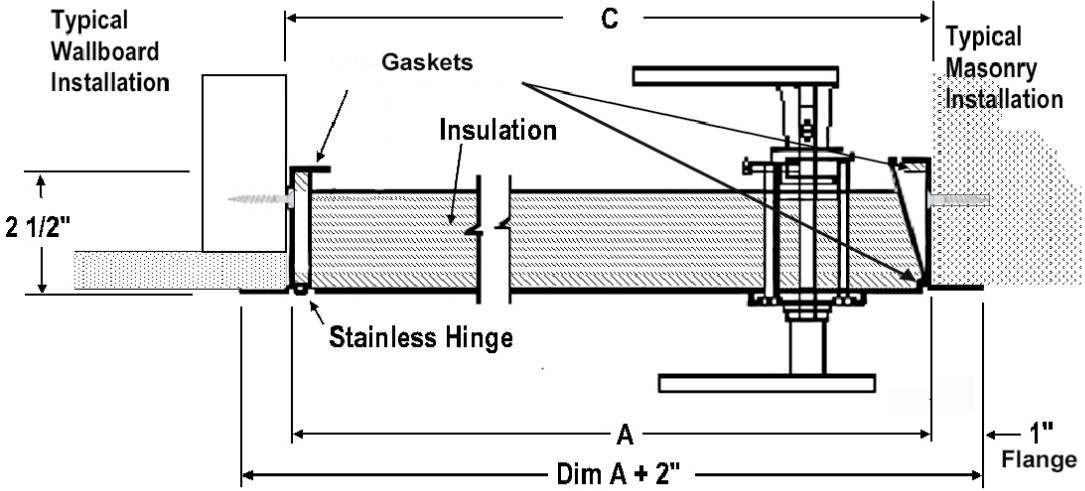
DOWNLOAD CURRENT SUBMITTAL BEFORE ORDERING

Distributor:	Quantity:
Contractor:	Approved By:
Model #:	Architect:
Project:	Date:

© 2019 Activar Construction Products Group, Inc. | XPA™ and XPS™ are trademarks of ACPG.



Rainhood



LATCH AND LOCK OPTIONS



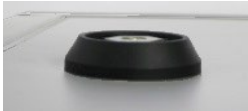
H2 Non-Locking Handle (Standard)



H3 Locking Handle



(H4) Removable Flush Locking Handle



Inside Latch for (H4) Removable Flush Locking Handle