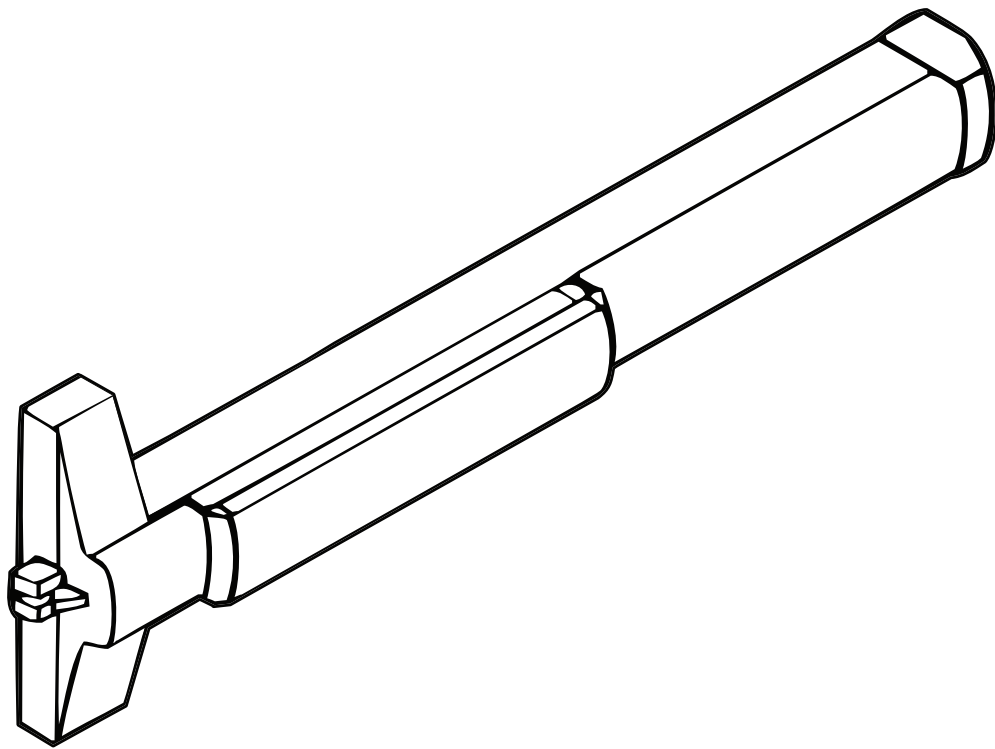


ED5200 (A) Series

Rim Exit Devices

Single Doors or Pairs with Mullion



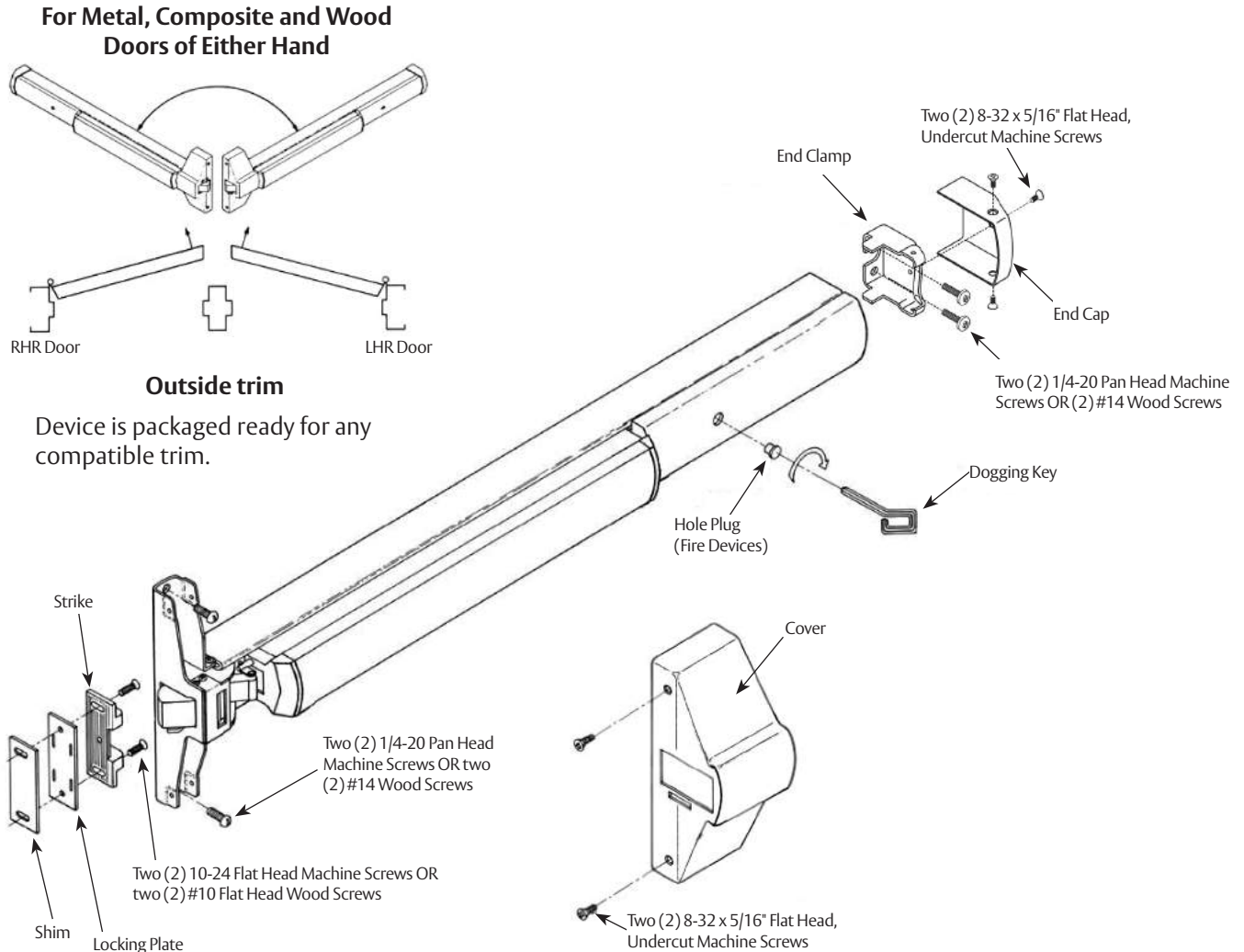
WARNING

This product can expose you to lead which is known to the state of California to cause cancer and birth defects or other reproductive harm. For more information go to www.P65warnings.ca.gov.

TOC	Table of Contents
1	Package Contents3
a	Dogging.....3
b	Fire Devices Only4
c	Shim Kit Option4
d	Sex Nut Option4
2	Check Before Starting.....5
a	Unreinforced Door or Frames.....5
3	Installation6
a	Mark Door.....6
b	Prepare Door and Frame.....6
c	Size Door.....7
d	Clear Raised Door Molding.....7
e	Install Device8
f	Install Strike9
g	Install Head Cover and End Cap9
4	RHR Door Template 10
5	LHR Door Template..... 11
6	Plastic Template Instructions 12

1

Package Contents



All dimensions are in inches (mm) unless otherwise noted.

a

Dogging

Feature to hold bolts retracted and touchpad depressed, for push-pull door operation.

To Dog Device:

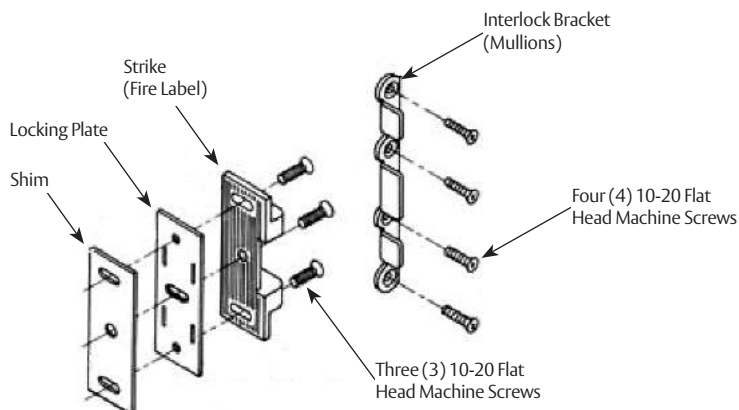
1. Insert dogging key.
2. Hold touchbar depressed.
3. Turn key 1/4 turn clockwise.

Note

(Not a feature of fire labeled devices.)

1 Package Contents (cont.)

b Fire Devices Only



c Shim Kit Option

697F338, Black Finish

Kit consists of Latch Head Shim (Device Cover seats on shim) and End Clamp Shim (End Cap seats on shim).

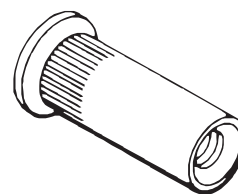
Each shim is 1/8" (3.2 mm) thick.

More than two Shim Kits require longer device mounting screws (not included).

d Sex Nut Option

Recommended for wood, composite or unreinforced metal doors. Standard for fire rated doors.

Device	Quantity	Size
Panic x M54	4	1/4-20
Fire Rated	4	1/4-20



2

Check Before Starting

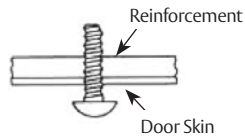
a

Unreinforced Door or Frames

Doors and Frames with walls having a structural thickness (metal skin plus reinforcement, or solid hardwood) to engage less than three (3) full screw threads, are considered unreinforced for hardware.

Unreinforced Doors: Use SNB (sex nuts and bolts).

Reinforced door or frame engages at least three (3) screw threads.

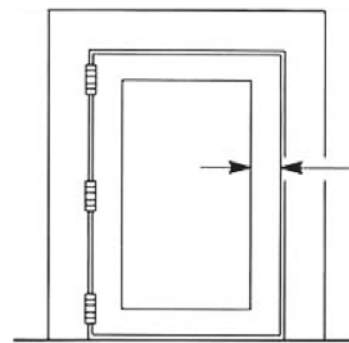


Unreinforced Frames: Use blind rivet nuts.

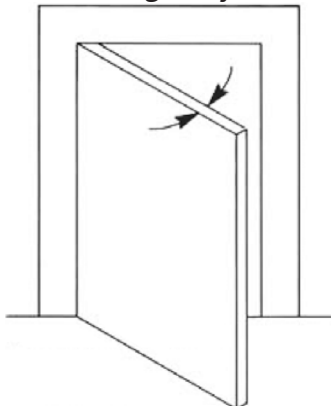


Note

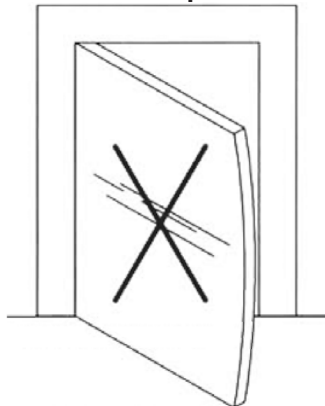
Recommended fasteners for unreinforced openings are not necessarily supplied by Corbin Russwin.



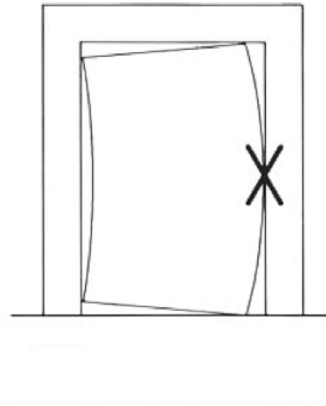
Door must swing freely



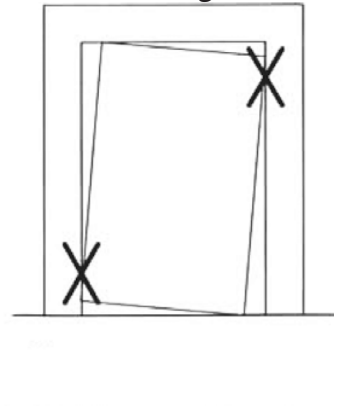
Door must not be warped



Door must not bind



Door must not sag



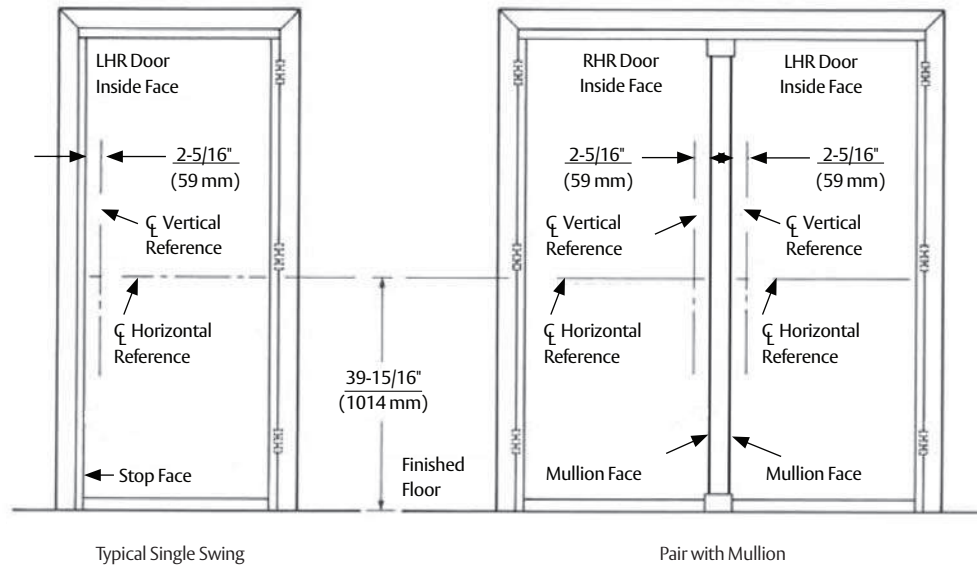
3

Installation

a

Mark Door

Locate and mark horizontal and vertical reference centerlines, as shown.



b

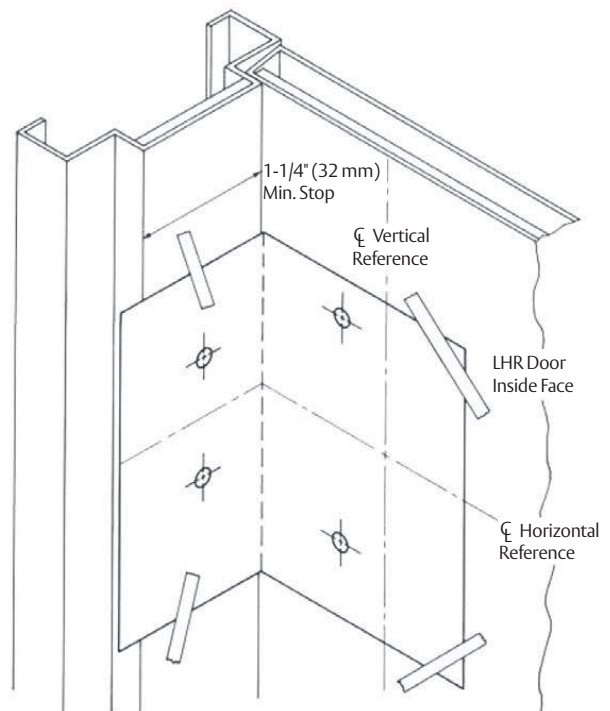
Prepare Door and Frame

1. Seat template on door and stop faces.
2. Align horizontal and vertical centerlines. Tape template in place.
3. Locate and tape trim template to door. (See instructions packed with trim)
4. Spot and prepare holes.

Device: Two (2) 1/4"-20 Machine Screws (*) OR
Two (2) 3/8" Dia. Sex Nuts & Bolts (10 mm)

Strike: Two (2) 10-24 Machine Screws OR
Two (2) #10 Wood Screws

* Metal reinforced doors only.



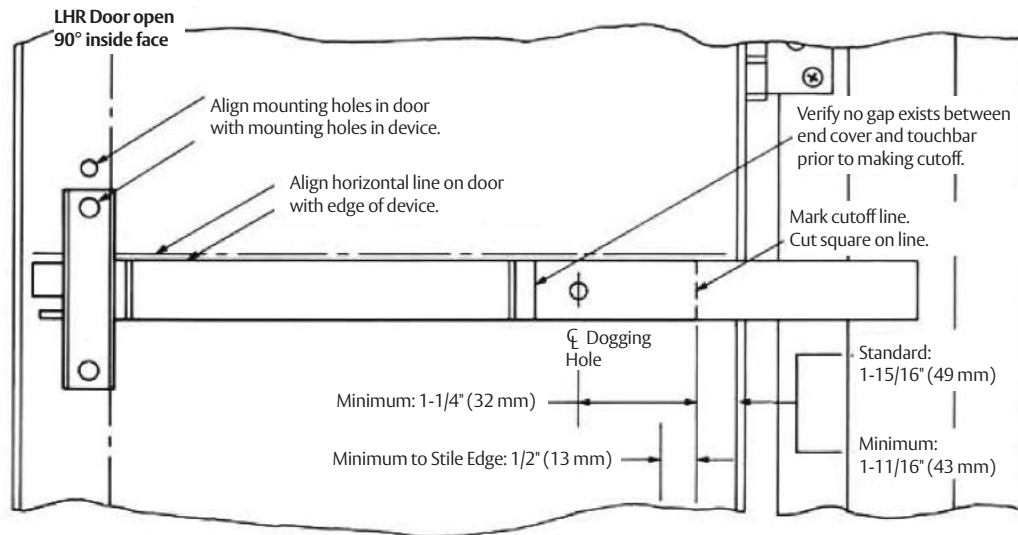
3

Installation (cont.)

c

Size Door

Device must be field cut to size, unless standard opening and device are 36" (0.91 m).



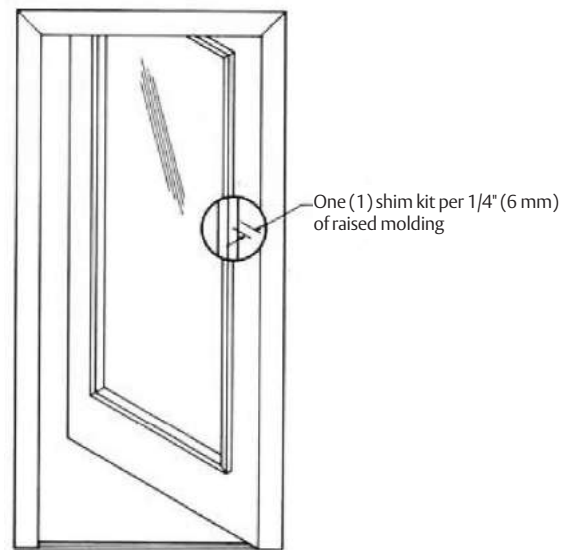
d

Clear Raised Door Molding

Device must seat flush on door surface, or on shims that keep it parallel to door face.

One shim kit 697F338 required for each 1/4" (6 mm) of device lift needed. Longer device mounting screws are needed when more than two (2) shim kits are used.

See shim kits option on page 4.



3

Installation (cont.)

e

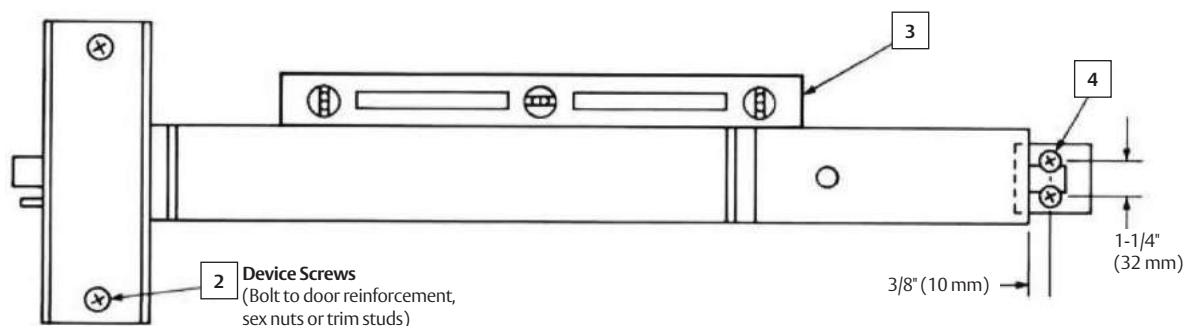
Install Device

1. Mount trim (follow instructions packed with trim).
2. Seat bar in place. Fasten device head (pan head machine screws or SNB).
3. Set bar level. Locate end clamp holes.
4. Prepare end clamp mounting holes. Mount end clamp using two (2) 1/4-20 pan head machine screws or 3/8" dia. (10 mm) SNB.
5. Check bolt retraction.
 - A. Depress touchbar (bolt must retract). Release touchbar (bolts must extend).
 - B. Actuate trim (bolts must retract). Release trim actuator (bolts must extend).
 - C. NOT FOR FIRE DEVICES. Depress touchbar and turn dogging key clockwise. The bar must remain depressed and bolts must remain retracted. Turn dogging key counterclockwise (bar and bolts must return to extended position).

NOTE

When resulting operation is faulty, check first for visible binding or interference. If there is no apparent reason for the fault, remove item from the door and recheck its operation before assuming that it is defective.

6. Tighten all mounting screws.

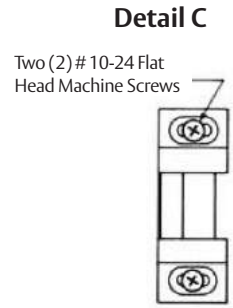
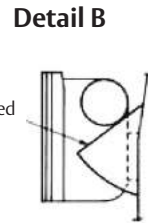
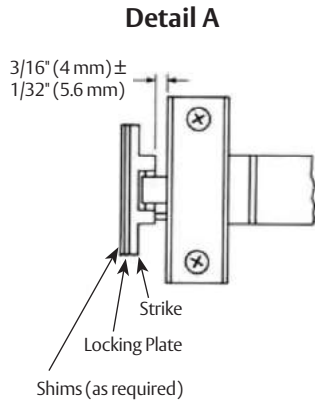


3

Installation (cont.)

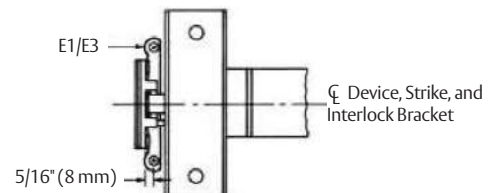
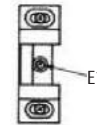
f

Install Strike



1. Position strike projection (Strike + Locking Plate + Shims, if needed). See Detail A.
2. Position strike depth. See Detail B.
3. Fasten strike securely, as shown in Detail C.
4. Check bolt engagement.
 - A. Bolt should retract to clear the strike, when actuated by bar, trim, or dogging action. Bolt should consistently re-engage the strike, when actuators are released and the door shuts.
 - B. Door should remain latched and not rattle when pushed, pulled or shaken in/out.
5. FIRE DEVICES ONLY. Stabilize strike. See Detail E.
 - A. Prepare for and install strike center screw (one (1) #10-24 flat head machine screw).
 - B. Position strike interlock bracket in place, as shown. Locate bracket holes.
 - C. Prepare interlock bracket mounting holes. Mount interlock bracket (four (4) #10-24 flat head machine screws or SNB).

Detail E

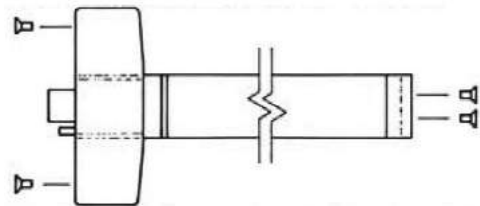


Fire rated mullion application only

g

Install Head Cover and End Cap

Use two (2) 8-32 flat head machine screws each for cover and three (3) for end cap.



RHR Door

Note: Do not photocopy.
Dimensions will not be to scale.

FLIP TO OTHER SIDE FOR LHR DOOR

Door Inside
Face Surface
(Device Seat)

Frame Stop or
Mullion Face
(Strike Seat)

HOLE	DOOR/FRAME	FASTENER	PREPARATION
A and C	Metal Reinforced	1/4-20 Machine Screw	Drill: #7 (.201" dia.) Tap: 1/4-20
	All others	1/4-20 SNB	3/8" (9.50mm) dia. thru door
B	Metal Reinforced	10-24 Machine Screw	Drill: #26 (.147" dia.) Tap: 10-24
	Solid Hardwood	#10 x 1-1/4" Wood Screw	Pilot Hole: 11/64" (4.40mm) dia.
	All others	See Note 2	As required for blind nut used.

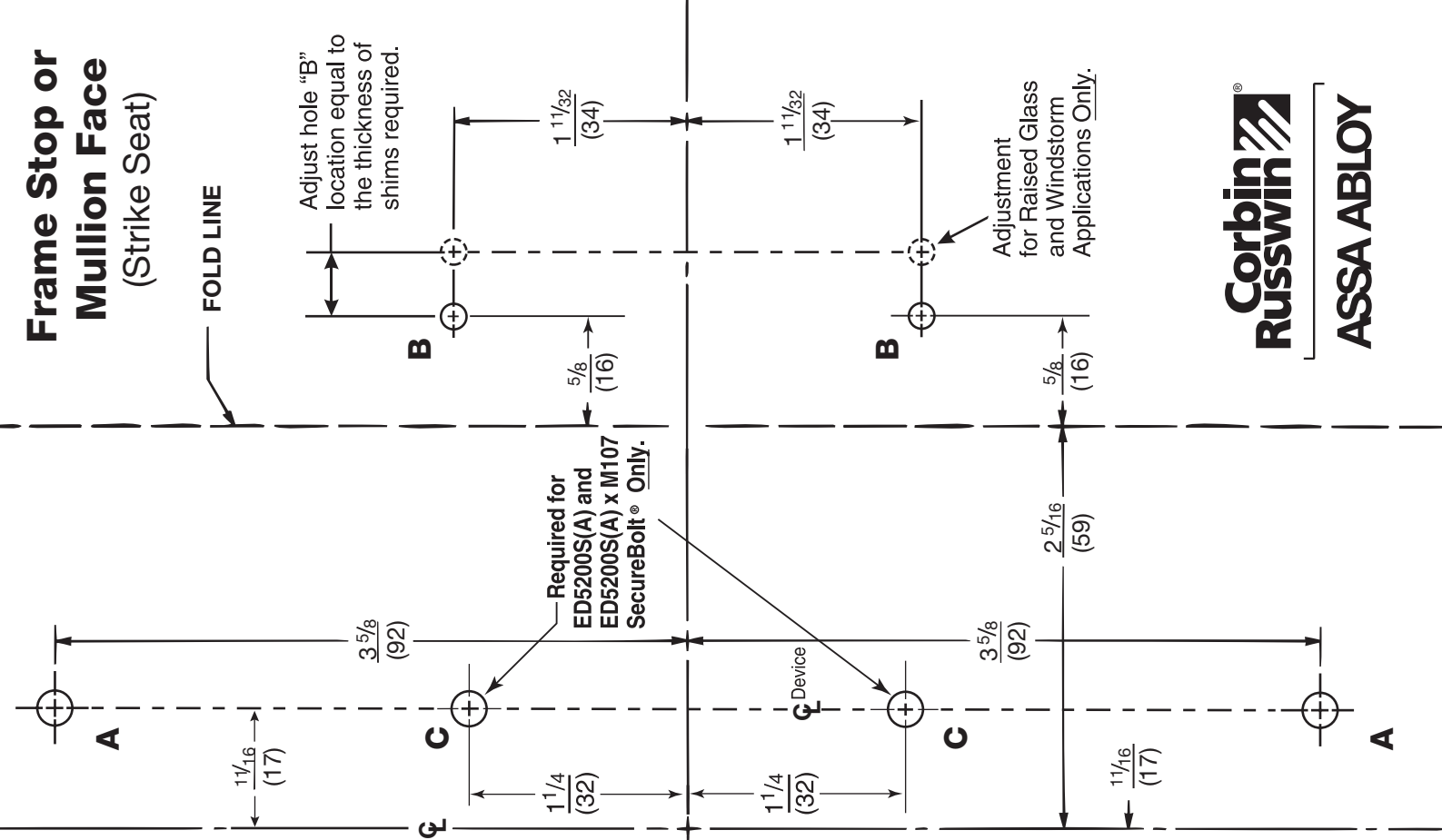
VERTICAL
REFERENCE

HORIZONTAL REFERENCE & DEVICE

Notes:

- For ED5200(A): Use with installation instructions FM156 (latest revision).
For ED5200S(A): Use with installation instructions FM532 (latest revision).
For ED5200S(A) x M107: Use with installation instructions FM532 (latest revision).
- Unreinforced Frames require 10-24 blind rivet nuts (by others) be used to bolt strike. Frames are considered not reinforced when strike mounting screws cannot engage (3) full threads.
- Dimensions are given in inches (mm).
- CAUTION: Office copiers and facsimile machines my change the size of a drawing and make the template inaccurate to use as a door marker. If this is not the original template packed with the trim, use only the dimensions written on the template to locate the holes on the door (do not use the template as a door marker).**

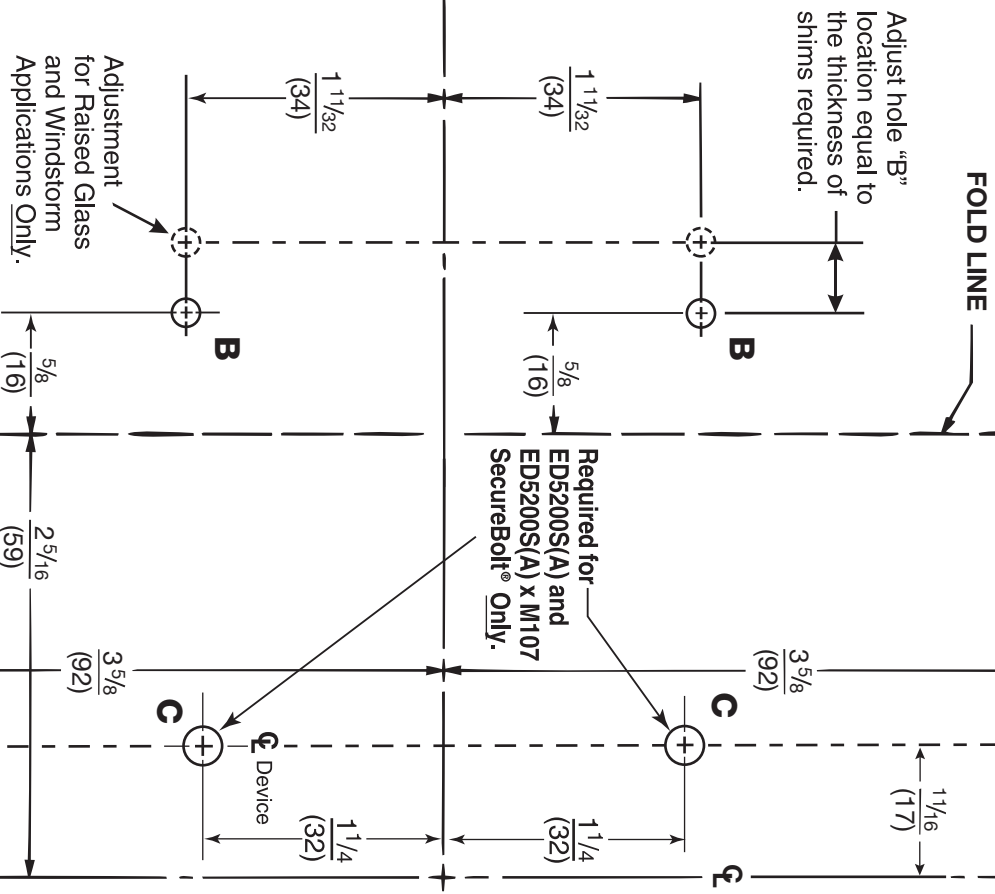
ED5200(A) Series, ED5200S(A) Series and ED5200S(A) x M107 (Windstorm) Rim and SecureBolt® Exit Devices Door Marker Template



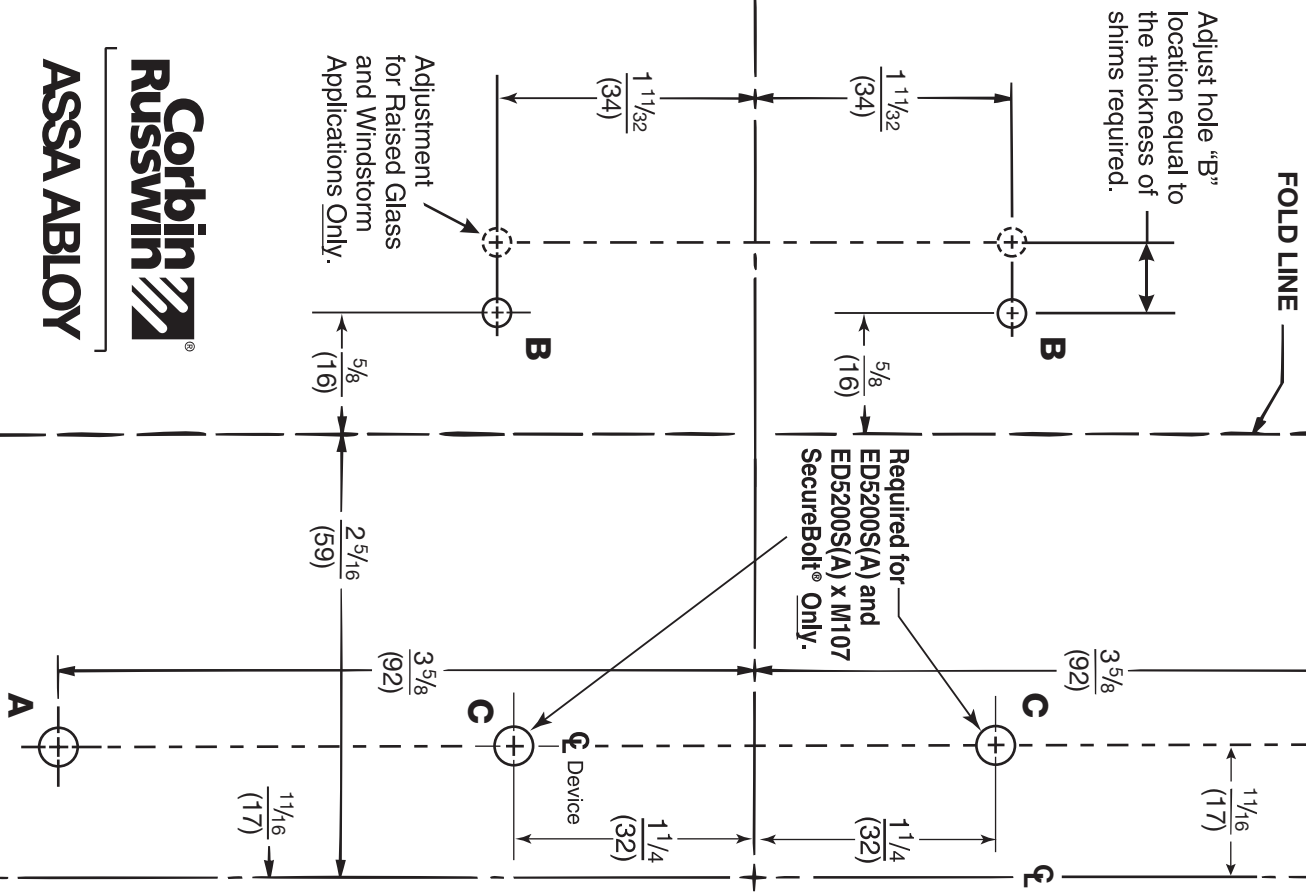
Corbin
Russwin

ASSA ABLOY

Frame Stop or Mullion Face (Strike Seat)



Door Inside Face Surface (Device Seat)



Note: Do not photocopy. Dimensions will not be to scale.

LHR Door

FLIP TO OTHER SIDE FOR RHR DOOR

HOLE	DOOR/FRAME	FASTENER	PREPARATION
A and C	Metal Reinforced	1/4-20 Machine Screw	Drill: #7 (.201" dia.) Tap: 1/4-20
	All others	1/4-20 SNB	3/8" (9.50mm) dia. thru door
B	Metal Reinforced	10-24 Machine Screw	Drill: #26 (.147" dia.) Tap: 10-24
	Solid Hardwood	#10 x 1-1/4" Wood Screw	Pilot Hole: 11/64" (4.40mm) dia.
	All others	See Note 2	As required for blind nut used.

VERTICAL REFERENCE

HORIZONTAL REFERENCE & DEVICE

Notes:

1. For ED5200(A): Use with installation instructions FM156 (latest revision). For ED5200S(A): Use with installation instructions FM532 (latest revision). For ED5200S(A) x M107: Use with installation instructions FM532 (latest revision).
2. Unreinforced Frames require 10-24 blind rivet nuts (by others) be used to bolt strike. Frames are considered not reinforced when strike mounting screws cannot engage (3) full threads.
3. Dimensions are given in inches (mm).
4. CAUTION: Office copiers and facsimile machines may change the size of a drawing and make the template inaccurate to use as a door marker. If this is not the original template packed with the trim, use only the dimensions written on the template to locate the holes on the door (do not use the template as a door marker).

ED5200(A) Series, ED5200S(A) Series and ED5200S(A) x M107 (Windstorm) Rim and SecureBolt® Exit Devices Door Marker Template



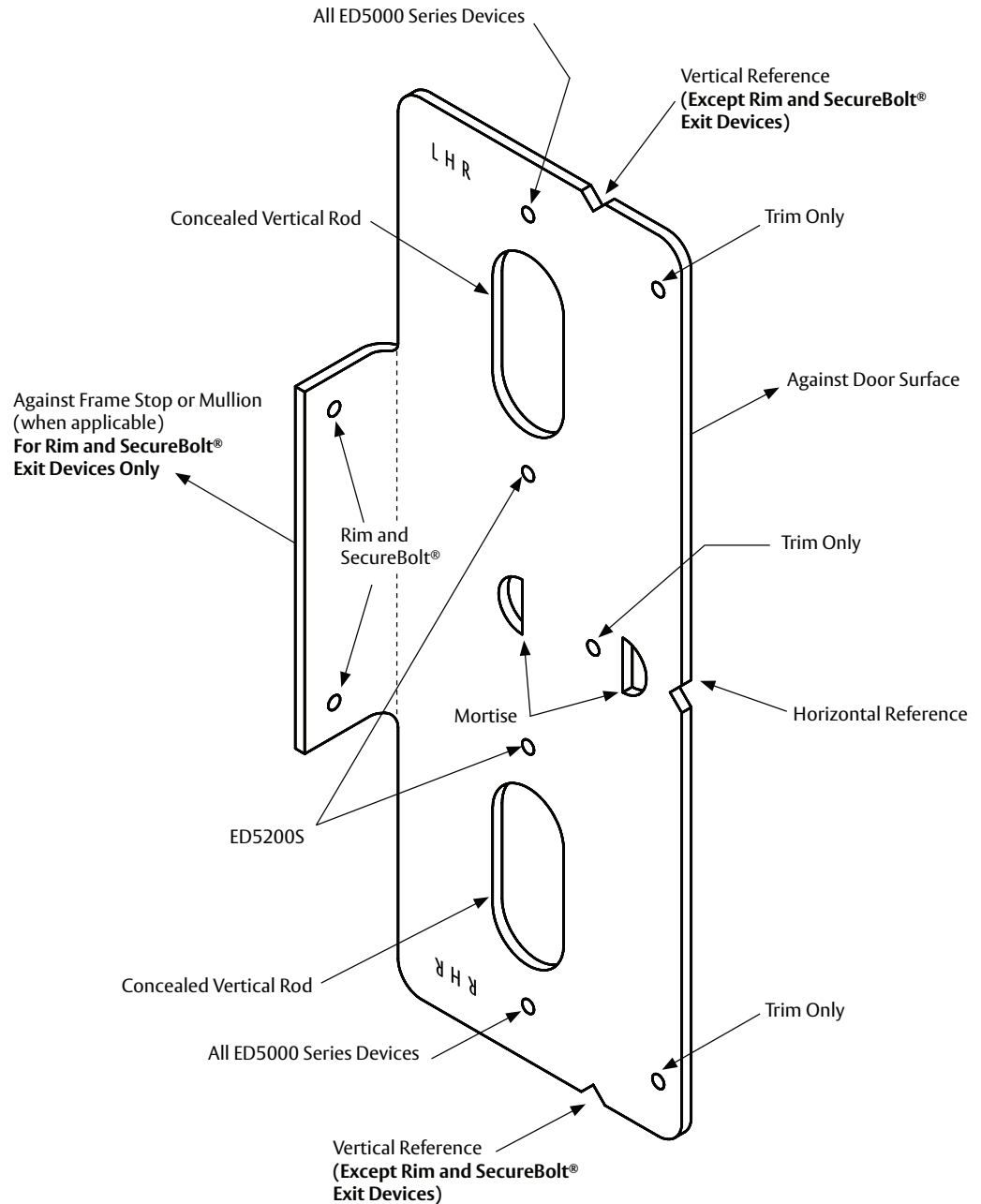
ASSA ABLOY

ASSA ABLOY, the global leader in door opening solutions

6

Plastic Template Instructions

For use in conjunction with instruction sheets and door marker templates packed with exit device. Holes and slots are identified below by exit device series and trim. Prep door and frame for only those features required for the exit device being installed.



Corbin Russwin, Inc.
 225 Episcopal Road
 Berlin, CT 06037 USA
 Phone: 800-543-3558
 Fax: 800-447-6714
www.corbinrusswin.com

ASSA ABLOY is the global leader in door opening solutions, dedicated to satisfying end-users needs for security, safety, and convenience