



24213

4040-SE Sentronic



Installation Instructions

This closer features two mounting options. Before beginning, determine which type of mounting best applies to your application, or had been specified for the job; then be sure to use the proper template.

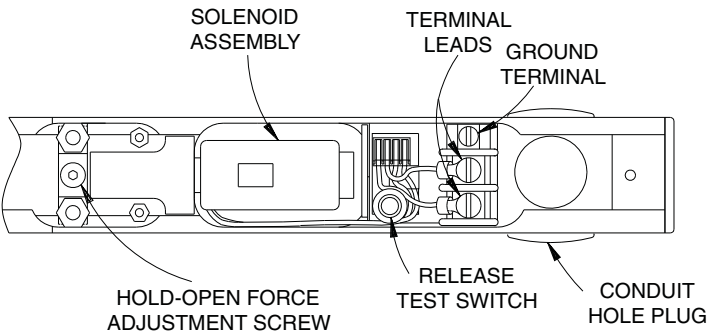
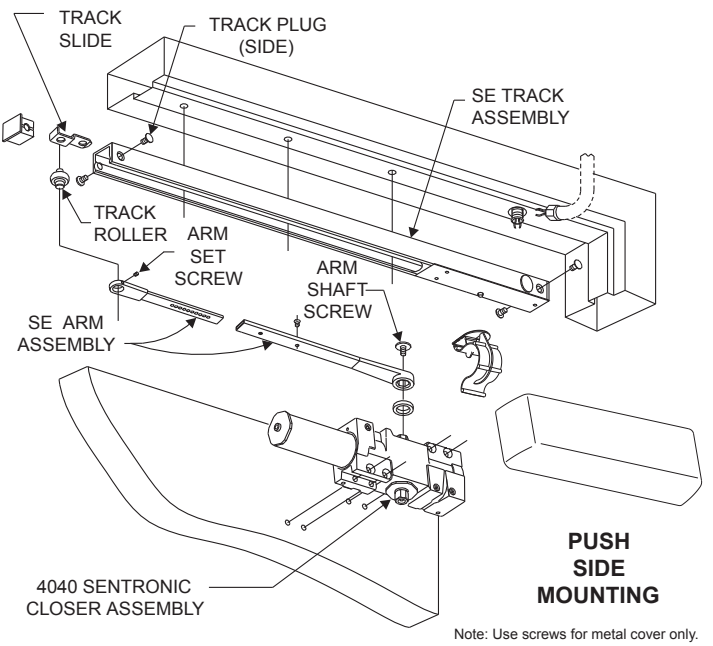
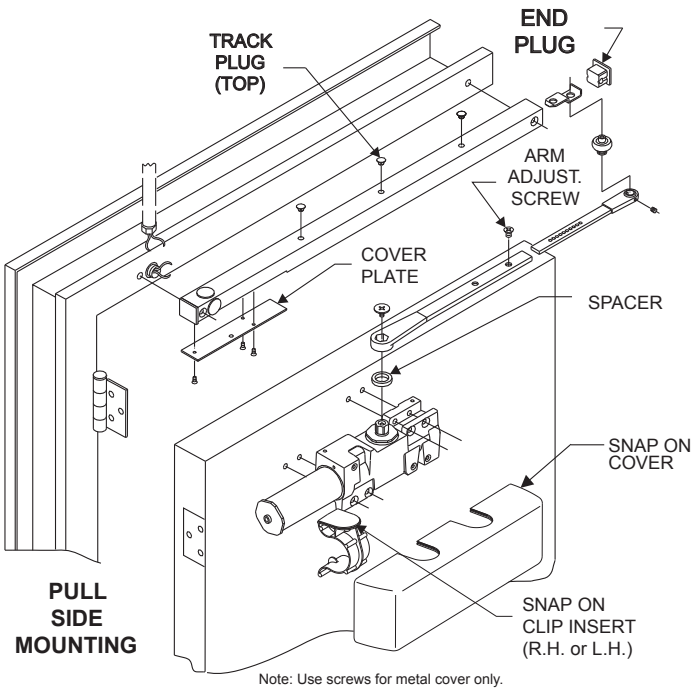
<p>1 Voltage</p> <p>The voltage shown on the track cover plate must match voltage supplied to door frame (24V or 120V). If concealed wiring is wanted, prepare the frame to specifications shown on the corresponding template (pull side or push side). If surface wiring is desired, be sure to mount track on frame before running any EMT/ conduit.</p>	<p>6 Adjusting Hold-Open Door Position</p> <p>Remove the screw in the adjustable arm, and open the door to the desired position. Reinsert the screw and tighten securely.</p>
<p>2 Tracking</p> <p>Depending on mounting used, insert proper track plugs into the side or top of the track. Using fasteners provided, mount track on frame to the dimensions of the template being used. Remove solenoid cover plate and make electrical connections (see pg. 2).</p> <p>① NOTE: Switch hole in the cover plate MUST be aligned with the test/release switch when reattaching the plate to the track.</p>	<p>7 Regulation</p> <p>Do not allow the door to slam into the frame. A "normal" closing time from a 90° position is 5 to 7 seconds, evenly divided between MAIN and LATCH SPEED. If adjustments are needed, use a 3/32" hex wrench. To adjust the MAIN SPEED, turn regulating screw (see illustration below) clockwise to slow the speed or c.c.w. to increase the speed. LATCH SPEED is adjusted in the same way. When adjusting BACKCHECK, turn the regulating screw clockwise to increase the amount of force or c.c.w. to reduce the amount of force.</p> <p>① NOTE: Do not use an abrupt backcheck setting or expect the door closer to act as a stop!</p>
<p>3 Spring Power</p> <p>Before mounting closer, the spring power may need adjusting. Refer to the label on the closer spring tube. The 4040 SE comes preset at size 3. This will control a door up to 38" wide. If your door is wider than 38", adjust closer as shown (see illustration to the right), up to 7 full turns. Starting the cover screws at this point is recommended. Using fasteners provided, mount the closer onto the door to the template dimensions being used.</p>	<p>8 Door Closer Cover</p> <p>With regulation done, place snap-on clip insert into the proper cutout, then snap the cover assembly onto the spring tube.</p>
<p>⚠ CAUTION ⚠</p> <p>IMPROPER INSTALLATION OR REGULATION MAY RESULT IN PERSONAL INJURY OR PROPERTY DAMAGE. FOLLOW ALL INSTRUCTION CAREFULLY.</p> <p>For questions, call LCN at 877-671-7011.</p>	
<p>4 Arm Installation</p> <p>Place the arm spacer over the top shaft of the closer. Install the arm as follows:</p>	
<p>4a Push Side Mounting</p> <p>Place the arm hub over the top closer shaft, parallel with your door. Place a wrench on the bottom shaft of the closer, and rotate away from the door. When flats in the arm hub line up with the first available flats of the shaft, slide the arm hub onto the shaft. Insert the shaft screw and tighten securely.</p>	
<p>4b Pull Side Mounting</p> <p>Place the arm hub over the top closer shaft, parallel with the door. Rotate the arm away from the door until flats in the arm hub line up with first available flats of the shaft. Slide the arm hub onto the closer shaft. Insert the shaft screw and tighten securely.</p>	
<p>5 Set Screw in Arm</p> <p>Loosen the set screw in the arm. Connect the art to the track roller, and tighten the set screw firmly.</p>	<p>NO MAINTENANCE REQUIRED</p>



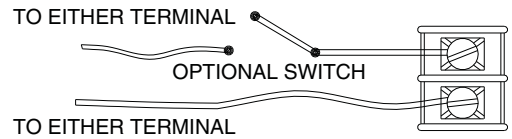
WARNING

HAZARDOUS VOLTAGE CAN SHOCK AND CAUSE SEVERE INJURY!

Disconnect the power before making any electrical connections or performing maintenance.



WIRING DIAGRAM - POLARITY NOT IMPORTANT



INPUT VOLTAGE:
24V AC/DC OR 120V AC/DC
(usually from alarm panel or detector)

Hold Open Force Adjustment:

Locate the hold-open adjustment screw in the diagram above. For greater hold-open force, insert a socket screw key wrench (included in the screwpack), and turn clockwise. To decrease the amount of hold-open force, turn the screw counter-clockwise. Turn a maximum of 4 turns.

Electrical checkout

1. With power on, open the door complete. The door should remain in the open position. If the door does not stay open, Check the electrical input.
2. Push the release test switch. The door should close immediately. Open the door to the hold-open position, and let it remain there.
3. The system should be checked at frequent intervals.

4040Se Hinge Face Mounted

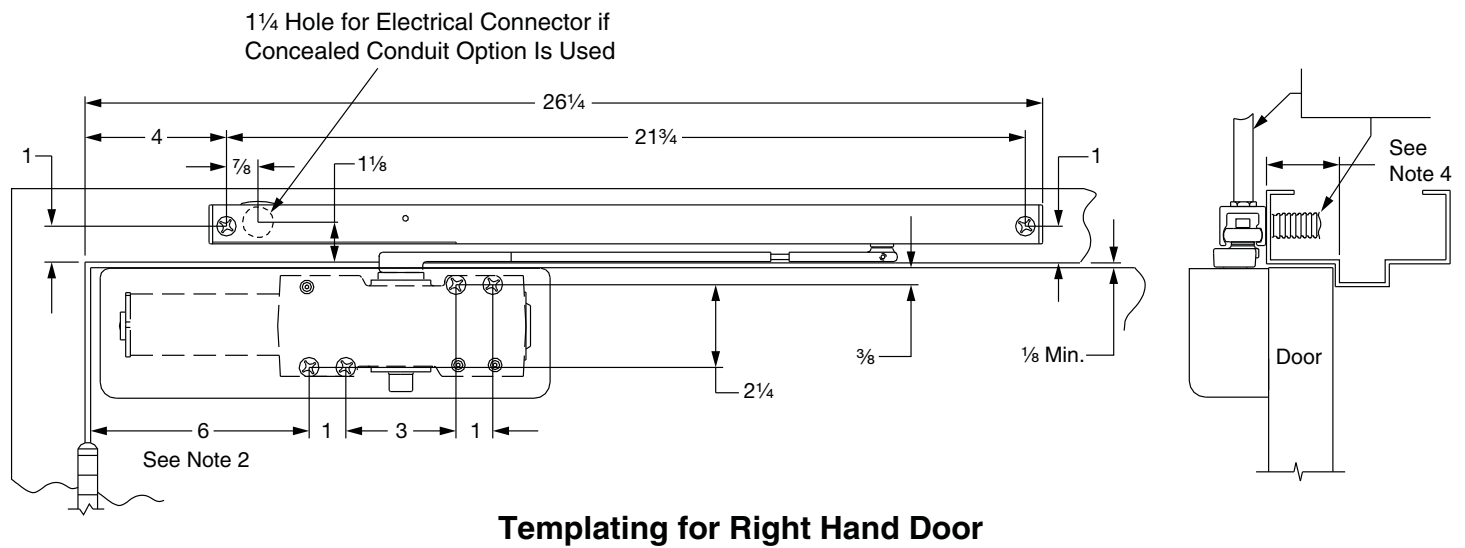
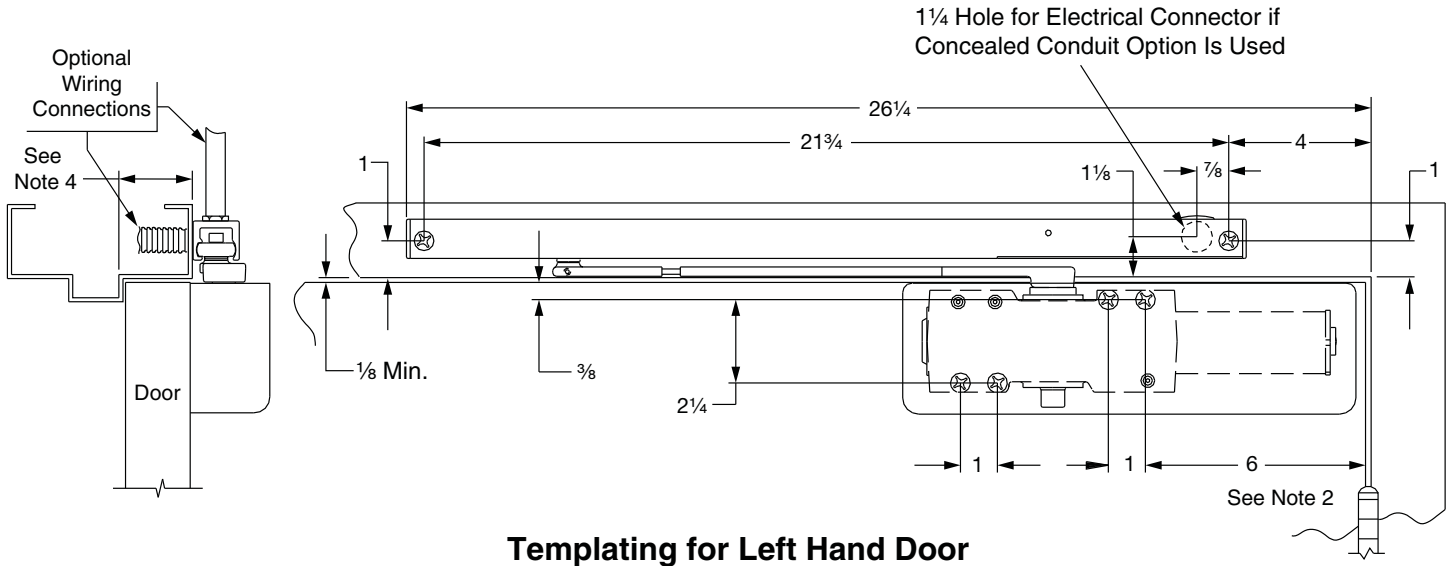


HAZARDOUS VOLTAGE CAN SHOCK AND CAUSE SEVERE INJURY!

Disconnect the power before making any electrical connections or performing maintenance.

DOOR HOLDER SOLENOID DATA
 24 VAC - DC Nominal =10% - 15% @ .090 Amp.Max.
 120VAC - DC Nominal =10% - 15% @ .030 Amp. Max.

4040SE } 85° to 110° Hold Open
 Auxiliary Stop Recommended



Notes:

1. Voltage supplied to the unit **MUST** match the voltage shown on the Sentronic label.
2. If the door is hung on pivots: Locate the closer and track from the pivot point of the center pivot. For offset pivots: Locate from the pivot point and add 3/8".
3. The floor or wall stops should be used.
4. If this dimension is greater than 1 15/16", consult the factory.
5. Reinforcing per ANSI/SDI-100 is recommended for hollow metal doors and frames.
6. If the swing clear hinges are being used, consult the factory.

Inch	1/4	9/16	5/8	1	1 1/8	1 1/4	1 11/32	1 1/2	2 1/8	2 1/4	2 7/8	3	4	5	6	8 9/16	26 5/8
M.M.	6	14	16	25	29	32	34	28	54	57	73	76	102	127	152	217	670

4040SE Stop-Side Mounted



HAZARDOUS VOLTAGE CAN SHOCK AND CAUSE SEVERE INJURY!

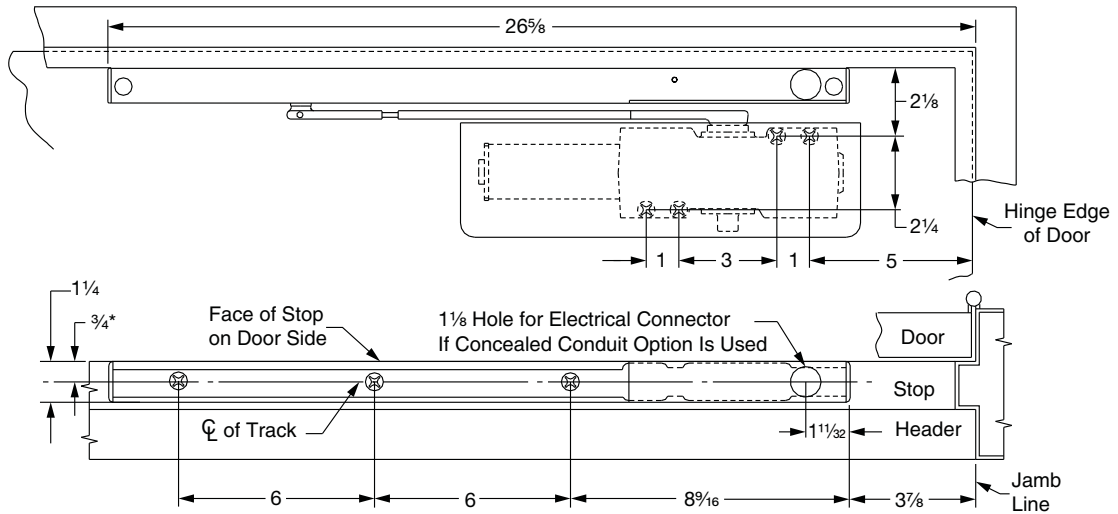
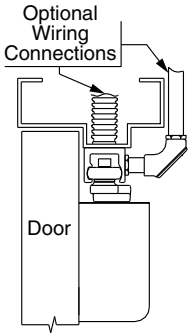
Disconnect the power before making any electrical connections or performing maintenance.

DOOR HOLDER SOLENOID DATA

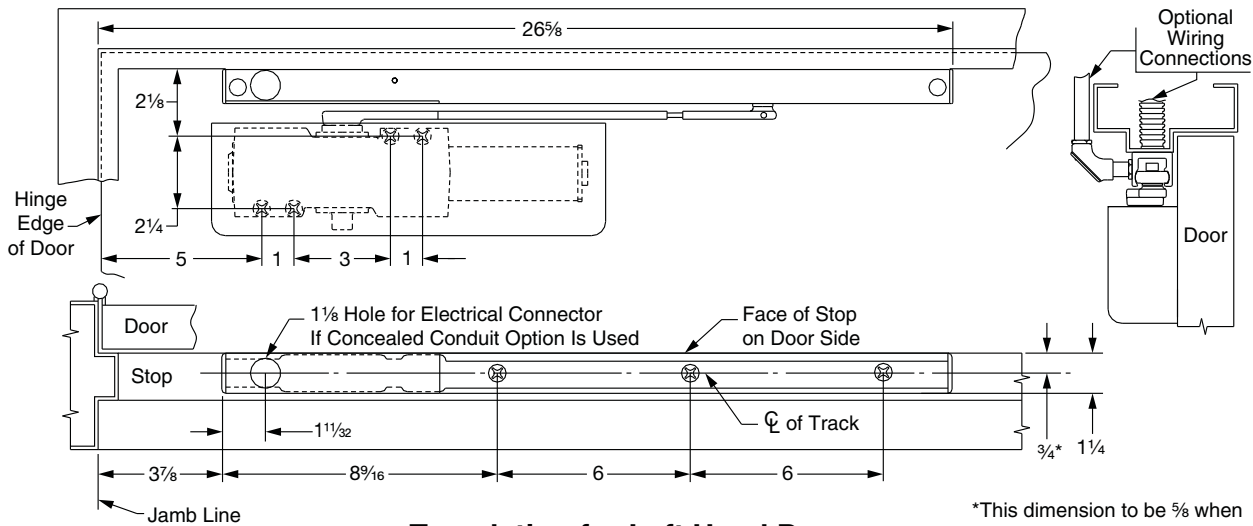
24 VAC - DC Nominal = 10% - 15% @ .090 Amp. Max.
120VAC - DC Nominal = 10% - 15% @ .030 Amp. Max.

4040SE } 85° to 110° Hold Open
Auxiliary Stop Recommended

*This dimension to be 5/8 when mounted on 1 1/4 wide stop



Templating for Right Hand Door



Templating for Left Hand Door

*This dimension to be 5/8 when mounted on 1 1/4 wide stop

Notes:

1. Voltage supplied to the unit **MUST** match the voltage shown on the Sentronic label.
2. The Electrical connector is provided by LCN.
3. Locate the closer and track from the center line of the pivot or swing - clear the hing pin, if used.
4. Floor or wall stops should be used.
5. Reinforcing per ANSI/SDI-100 is recommended for hollow metal doors and frames.

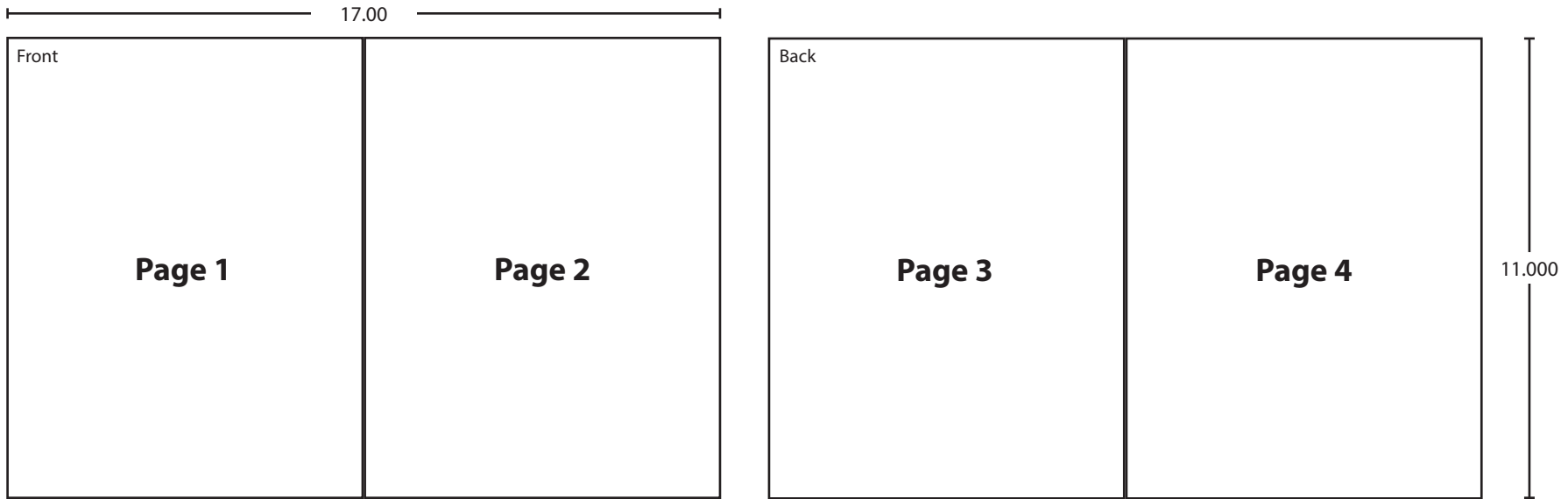
Inch	1/4	9/16	5/8	1	1 1/8	1 1/4	1 1/32	1 1/2	2 1/8	2 1/4	2 7/8	3	4	5	6	8 9/16	26 5/8
M.M.	6	14	16	25	29	32	34	28	54	57	73	76	102	127	152	217	670

Customer Service

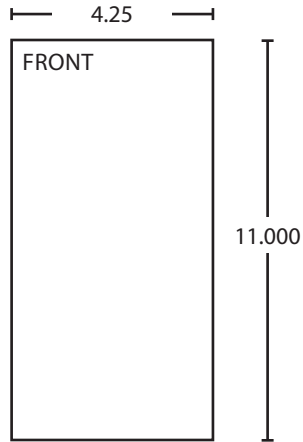
1-877-671-7011 www.allegion.com/us



© Allegion 2014
Printed in U.S.A.
24213 Rev. 03/14-I



BEGINNING SHEET



FOLDED SHEET

Additional Notes:
1. None

Revision History						Revision Description: L > Revised artwork								
J	K	L	M	N	P									
N/A	043228	046691												
Material White Paper						Edited By D. Myers		Approved By B. Eickhoff		EC Number 046691	Release Date 03-03-14			
Notes 1. printed two sides 2. printed black 3. tolerance ± .13 4. printed in country may vary 5. drawings not to scale						Title 4040SE Series Instruction Sheet								
						Creation Date 04-27-10		Number 24213			Revision L			
						Created By N/A		Activity 3899 Hancock Expwy Security, CO 80911						
						Software: InDesign CS6						© Allegion 2014		