

## First commissioning instructions/Quick start guide



**THIS STEP SHOULD BE COMPLETED AFTER THE UNIT HAS BEEN MOUNTED.**

Prior to starting the Commissioning, verify the manual settings (Adjusting of braking circuit, spring force, closing speed). (Refer to Book 2 of 3 "ED900 Door Operator Installation" for the manual settings).

### STEP 1: Write your door values in this chart for reference prior to starting the learning cycle.

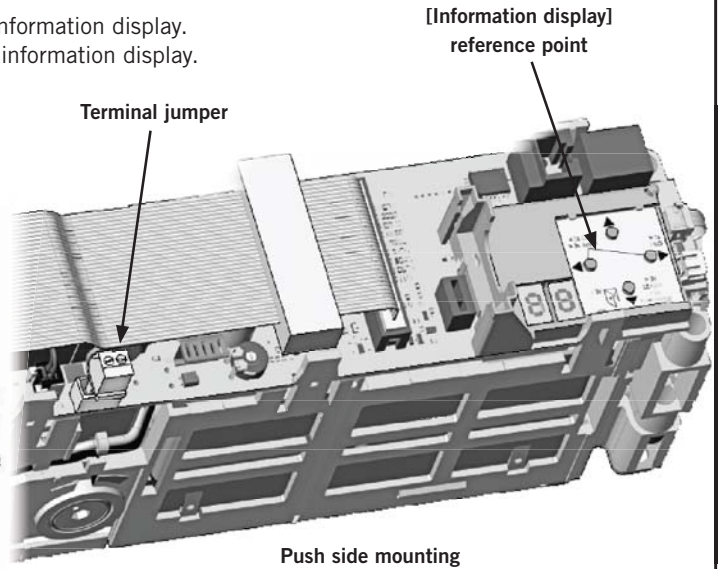
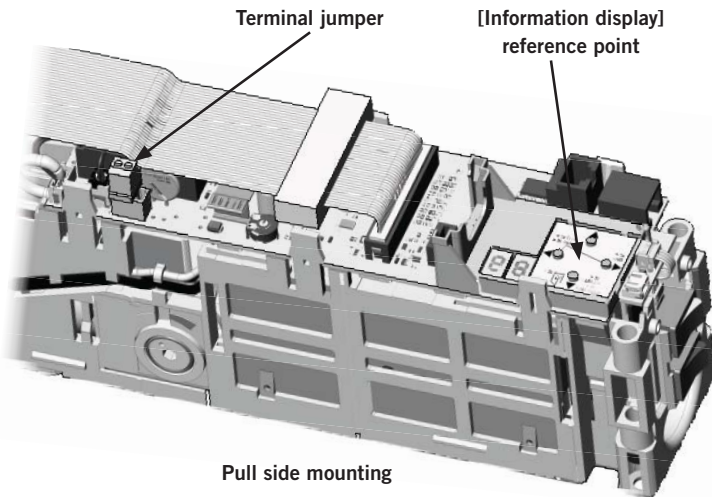
See learning cycle reference charts on last page of Quick Start Guide.

|  |                                  | Coordinating Setting Value |
|--|----------------------------------|----------------------------|
| <b>Mount type</b>  | <b>PUSH or PULL</b> (circle one) |                            |
| <b>Reveal depth measurement:</b><br>Distance from the face of the mounting surface, to the door face. (see page 4 of this document for more description) | Reveal depth measurement         |                            |
| <b>Door width measurement:</b><br>Measure the width of the door in inches and divide by 4.   | Door width measurement           |                            |
| <b>Door type:</b> Single door, double door, etc.   |                                  |                            |

### STEP 2

Set the green terminal jumper for push or pull side mounting.

- **Pull side mounting:** terminal jumper is positioned **AWAY** from the information display.
- **Push side mounting:** terminal jumper is positioned **CLOSER** to the information display.

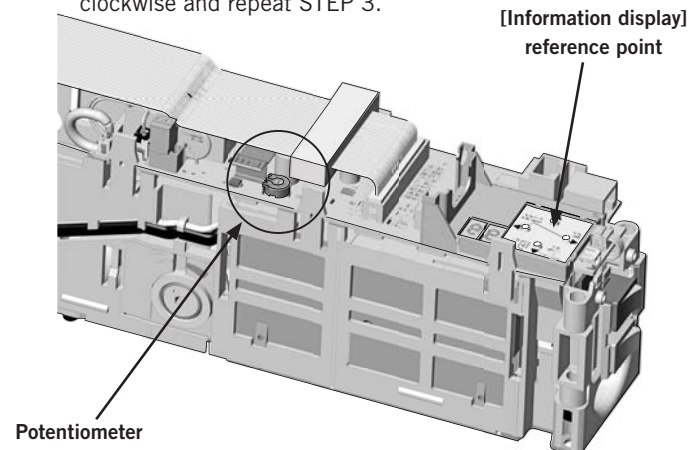


### STEP 3

Manually open door to a 90° angle and let it close.



Door should fully close at a speed greater than 3 seconds. If door closes in less than 3 seconds, turn the potentiometer 1/4 turn clockwise and repeat STEP 3.

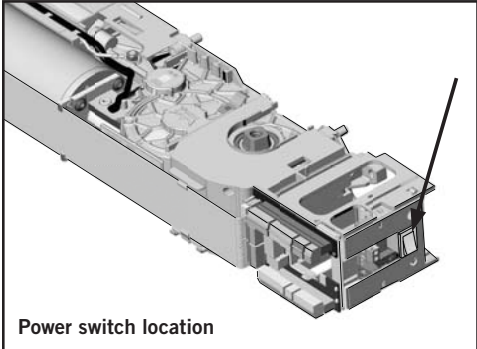
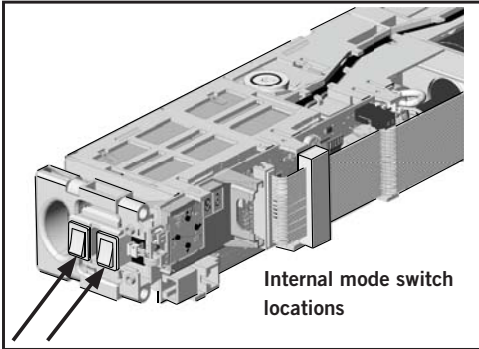




**⚠ READ THIS BEFORE PERFORMING STEPS 4 - 6.** NOTE: After turning the internal mode switches and the power switch ON [step 4 & 5], 2 dashed horizontal lines will begin moving up and down in the display. Be sure to press the **BOTTOM** yellow button [Step 6] **WHILE** the 2 horizontal lines are moving up and down.

**STEP 4**  
Set the internal mode switches to the OFF position: "O" and "O".

Internal mode switches



**STEP 5**  
Set the power switch to the ON position: "—".

Power switch

- 2 horizontal dashed lines will begin moving up and down for 5 seconds.

**STEP 6**  
Press **BOTTOM** yellow button **WHILE** the 2 horizontal lines are moving up and down.

- This will orient the unit for left or right hand mounting.
- The unit will continue to scroll information on the display as the process is starting.
- "oP" will be displayed.
- If button is not pushed while the 2 horizontal lines are moving up and down, turn operator OFF and ON again to start over.

**NOTE:** If at any time during the commissioning process, the [rotating "o" and "P"] appears after approximately 1 minute of inactivity, press and hold the **RIGHT** yellow button until the previous programming step appears. Then continue with the commissioning process.

**STEP 7**  
Press & hold **RIGHT** yellow button.  
▪ Display will read "AS".

**STEP 8**  
Press **RIGHT** yellow button.  
▪ Display will read "00".

**STEP 9**  
Press **RIGHT** yellow button again.  
▪ "00" will begin flashing.

**STEP 10**  
Toggle **UP** or **DOWN** to select proper value.  
▪ Pull side: "00"  
▪ Push side: "01"

**STEP 11**  
Press **RIGHT** yellow button to lock value entered.

**STEP 12**  
Press **LEFT** yellow button to return to programming menu.

**STEP 13**  
Press **BOTTOM** yellow button to move to next item in menu.  
**Reveal Depth Screen**

**STEP 14**  
Press **RIGHT** yellow button.  
▪ Display will read "00".

**Reference door value chart**

**STEP 15**  
Press **RIGHT** yellow button again.  
▪ "00" will begin flashing.

**EXAMPLE**

**STEP 16**  
Toggle **UP** or **DOWN** to select proper value.  
**(Reference Reveal Depth Charts, page 4.)**

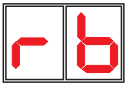
**EXAMPLE**

**STEP 17**  
Press **RIGHT** yellow button to lock value entered.

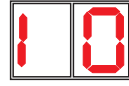
**STEP 18**  
Press **LEFT** yellow button to return to programming menu.



Reference door value chart



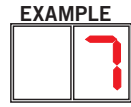
**STEP 19**  
Press BOTTOM yellow button to move to next item in menu.  
**Door Width Screen**



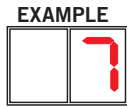
**STEP 20**  
Press RIGHT yellow button.  
▪ Display will read "10".



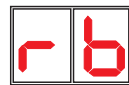
**STEP 21**  
Press RIGHT yellow button again.  
▪ "10" will begin flashing.



**STEP 22**  
Toggle UP or DOWN to select proper value.  
**(Reference Door Width Chart, page 4.)**



**STEP 23**  
Press RIGHT yellow button to lock value entered.



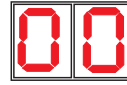
**STEP 24**  
Press LEFT yellow button to return to programming menu.

For single doors, skip to step 30

Reference door value chart



**STEP 25**  
Press BOTTOM yellow button to move to next item in menu.  
**Door Type Screen**



**STEP 26**  
Press RIGHT yellow button.  
▪ Display will read "00".



**STEP 27**  
Press RIGHT yellow button again.  
▪ "00" will begin flashing.



**STEP 28**  
Toggle UP or DOWN to select proper value.  
**(Reference Door Type Chart, page 4.)**



**STEP 29**  
Press RIGHT yellow button to lock value entered.



**STEP 30**  
Press LEFT yellow button to return to programming menu.



**STEP 31**  
Press LEFT yellow button again.  
▪ Display will read "o0".



**STEP 32**  
Press & hold BOTTOM yellow button for 3 seconds.  
▪ Unit will make some automatic movements as it starts the learning process.  
**DO NOT INTERFERE WITH THESE MOTIONS DURING THIS PROCESS!**  
▪ Door will open 70° and STOP at that angle.  
▪ Display will read "04".



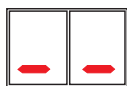
**STEP 33**  
From the 70° angle, manually push the door open to the desired opening angle (max 110°).

**DO NOT ALLOW THE DOOR TO HIT AGAINST ANY FIXED OBJECTS, INCLUDING DOOR STOPS!**

**STEP 34**  
Press BOTTOM yellow button to continue the learning process.

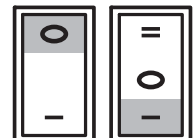
**DO NOT INTERFERE WITH THESE MOTIONS DURING THIS PROCESS!**

▪ When complete, display will read " \_ \_".



**STEP 35**  
Set the operator to Automatic Mode.

The unit is now ready to add accessories and switches.



**Automatic**  
Adjust the 2 pole switch to "O".  
Adjust the 3 pole switch to " \_ \_".



# ED900

## Learning cycle reference charts

### Setting 'AS': Step 7

#### Mount type chart: push/pull

| Type of Mount | ED900 Type      | Value |
|---------------|-----------------|-------|
| Push side     | ED900 J8 or J12 | 01    |
| Pull side     | ED900 T         | 00    |

### Setting 'rd': Step 13

#### Reveal depth chart

| Reveal in inches | Value |
|------------------|-------|
| - 1-1/8          | -3    |
| -3/4             | -2    |
| -3/8             | -1    |
| 0                | 0     |
| 3/8              | 1     |
| 3/4              | 2     |
| 1-1/8            | 3     |
| 1-1/2            | 4     |
| 1-7/8            | 5     |
| 2-1/4            | 6     |
| 2-5/8            | 7     |
| 3                | 8     |
| 3-3/8            | 9     |
| 3-3/4            | 10    |
| 4-1/8            | 11    |
| 4-1/2            | 12    |
| 4-7/8            | 13    |
| 5-1/4            | 14    |
| 5-5/8            | 15    |
| 6                | 16    |
| 6-3/8            | 17    |
| 6-3/4            | 18    |
| 7-1/8            | 19    |
| 7-1/2            | 20    |
| 7-7/8            | 21    |
| 8-1/4            | 22    |
| 8-5/8            | 23    |
| 9                | 24    |
| 9-3/8            | 25    |
| 9-3/4            | 26    |
| 10-1/8           | 27    |
| 10-1/2           | 28    |
| 10-7/8           | 29    |

### Setting 'rb': step 19

#### Door width chart

| Door width in inches | Value |
|----------------------|-------|
| 28 to 31-7/8"        | 7     |
| 32 to 35-7/8"        | 8     |
| 36 to 39-7/8"        | 9     |
| 40 to 43-7/8"        | 10    |
| 44"                  | 11    |

### Setting 'dl': Step 25

#### Door type chart

| Door type                                   | Value |
|---|-------|
| Single door                                 | 0     |
| Double door leaf (astragal) active door     | 1     |
| Double door leaf (astragal) passive door    | 2     |
| Double door leaf (no astragal) active door  | 3     |
| Double door leaf (no astragal) passive door | 4     |

### Reveal depth

