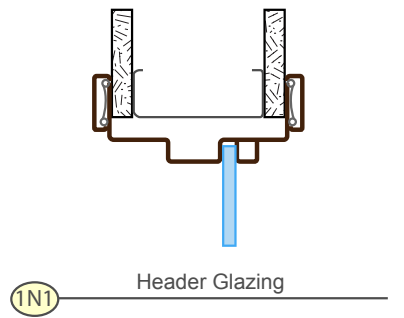
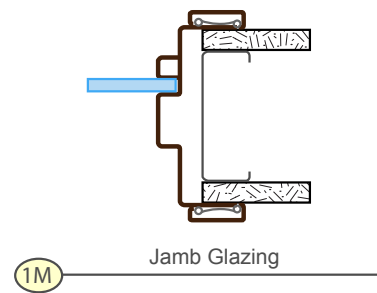
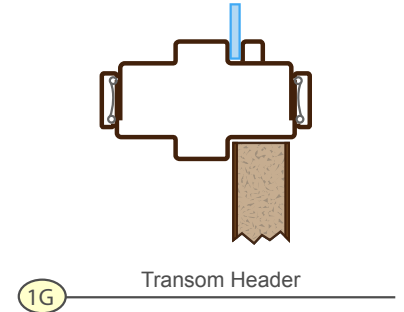
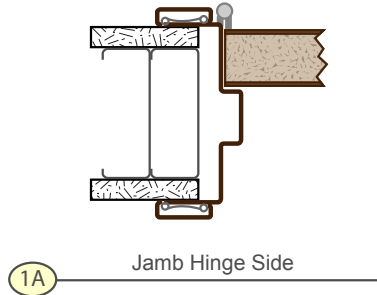
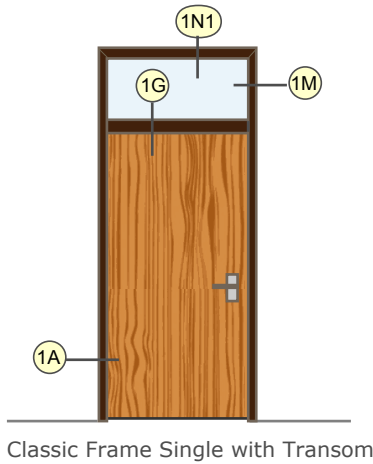


CLASSIC FRAME (S-Series & C-Series) - Single with Transom

Shown with TA-8 Steel Casing as example.



ROUGH OPENING DIMENSIONS

WIDTH

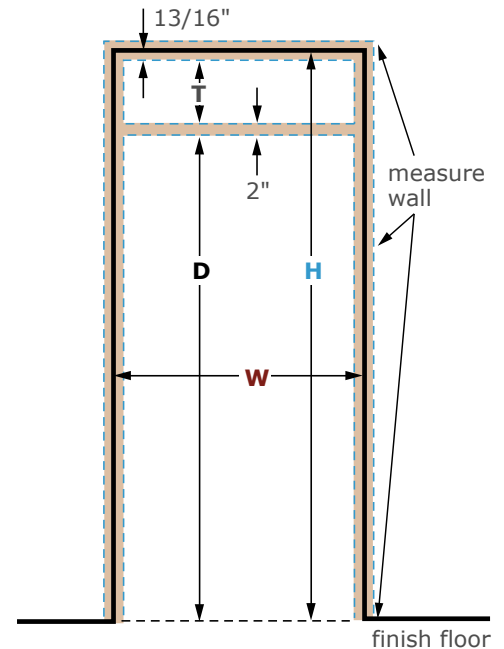
For standard frame with transom and no sidelights, opening width is same as for a three sided frame. Opening width area will vary if using a partial height or stepped sidelight. The opening dimension is calculated separately for each "step" in the sidelight.

ROUGH OPENING: Standard frame: Net door width + 1 1/4"

HEIGHT

Opening height includes the net door height plus the transom mullion(s) and glass area(s). For frames with stepped or partial height sidelights, the light area height is calculated differently than the door area. Measurement is based on calculating the rough opening for the door area first, then measuring from the top down on the sidelight area.

ROUGH OPENING: Door area: Net door height + net glass dimension(s) + 2" for each mullion + 13/16"



W = Nominal Width + 1 1/4"

H = Net door(s) Area Height + Transom Height + 2" for Mullion + 13/16"

CLASSIC FRAME (S-Series & C-Series) - Single with Transom

RELATED INFORMATION

SOUND

FRAME MATERIALS	DOOR SIZE AND WEIGHT	JAMB DEPTH RANGES	RATINGS
Prefinished Steel	Door Thickness: 1 3/8" or 1 3/4"	Standard Jamb Depths S-Series (20 gauge) ** : 3 3/4", 4 5/8", 4 7/8", 5" and 5 3/8" C-Series (18 gauge): 3 1/2", 3 3/4", 4", 4 5/8", 4 7/8", 5", 5 3/8", 6 5/8", 6 7/8" and 7 1/4" Custom Jamb Depths C-Series (18 gauge): 3 3/8" to 13" in 1/8" increments. Max. Mullion Length: 10' - 1"	Not Available
MAX ASSEMBLY SIZE	Max. Door Weight: 500 lbs.		
Max. Assembly Width: 12' - 0" * (for Standard Jamb Depths) 10' - 1" * (for Standard Jamb Depths)	Max. Door Width: 4' - 0"		
Max. Assembly Height: 10' - 1"	Max. Door Height: 12' - 0" **		

* Wider assemblies will have splice joints in frame and casing. All widths and heights are inside dimensions - net door or glass opening size.
 ** Mullions are always supplied in 18 gauge.

FIRE RATING 45 MINUTE DOOR AREA

JAMB DEPTH RANGE	45 MINUTE	GENERAL INFORMATION
Min. Jamb Depth: 2 3/4" Max. Jamb Depth: 13"	Width: up to 4' - 0" Max. Height: 9' - 0"	<ol style="list-style-type: none"> All openings approved for Positive and Neutral pressure unless otherwise noted. All ratings apply to steel stud, wood stud, or masonry construction. All ratings approved for category "A" and "B" doors with category "G" edge sealing. Timely's fire rated <i>Metal "U" Insert</i> is recommended for masonry installations. If wood subframe is used in place of <i>Metal "U" Insert</i>, it will be necessary to use fire rated drywall on both sides of wood to maintain fire rating. Wood, Aluminum or PVC casing does not affect ratings on door frames. Wood casing must be applied with hot melt glue or contact adhesive on 90 minute rated frames and on all glazed openings with 45 minute or 60 minute rating. On all other fire rated frames, wood casing can be applied with nails or finish head screws on jambs and mullions. Single frames must be prepared for strike or reinforced with (TA-47) for a rim exit device strike. Embossed WHI 90 min. label is available for Primer Galvanized Frames only.
<p>All dimensions shown are inside dimensions - net door opening size.</p> <p>Distributors of Timely Frames may be approved to purchase labels and apply them to frames at their own facility. Intertek has set guidelines and a fee schedule for this program. Requirements and prices are available from Timely or Intertek.</p>		

FIRE RATING 45 MINUTE TRANSOM AREA

ASSEMBLY	GLASS AREA*	GENERAL INFORMATION
Max. Width: 9' - 7" Max. Height: 9' - 11"	Width: up to 2' Max. Height: 8' - 11" Visible light is 1" less in width and height	<ol style="list-style-type: none"> All openings are approved for Positive and Neutral pressure unless otherwise noted. All ratings apply to steel stud, wood stud, or masonry construction. All ratings approved for category "A" and "B" doors with category "G" edge sealing. Timely's fire rated <i>Metal "U" Insert</i> is recommended for masonry installations. If wood subframe is used in place of <i>Metal "U" Insert</i>, it will be necessary to use fire rated drywall on both sides of wood to maintain fire rating. Aluminum or PVC casing does not affect fire rating. Wood casing must be applied with hot melt glue or contact adhesive on 90 minute rated frames and on all glazed openings with 45 minute or 60 minute rating. On all other fire rated frames, wood casing can be applied with nails or finish head screws on jambs and mullions.
<p>All dimensions shown are inside dimensions - net door opening size.</p> <p>* Multiple Glass Areas can be created with Mullions. The only limitations are Max. Assembly Width and Height. ** For glass widths exceeding 24" the maximum glass area is 1296 sq. in. unless approved by local AHJ.</p> <p>Distributors of Timely Frames may be approved to purchase labels and apply them to frames at their own facility. Intertek has set guidelines and a fee schedule for this program. Requirements and prices are available from Timely or Intertek.</p>		