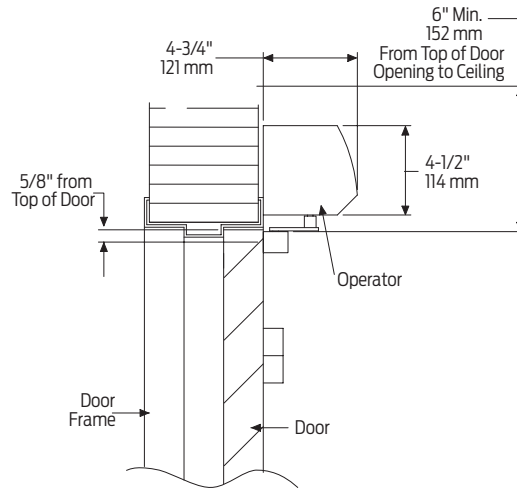
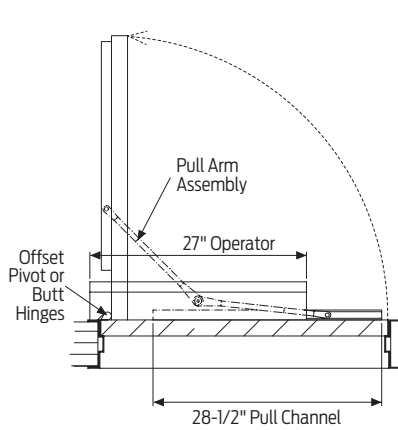




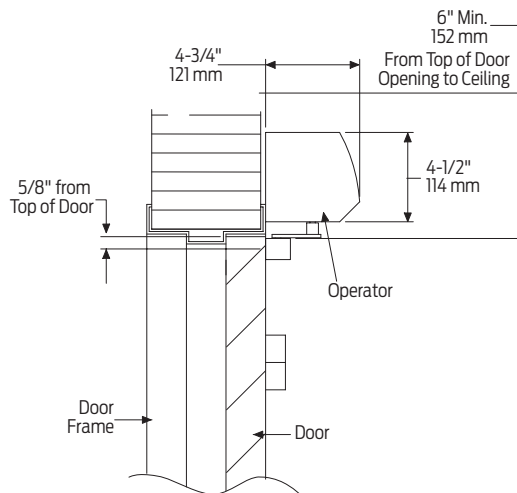
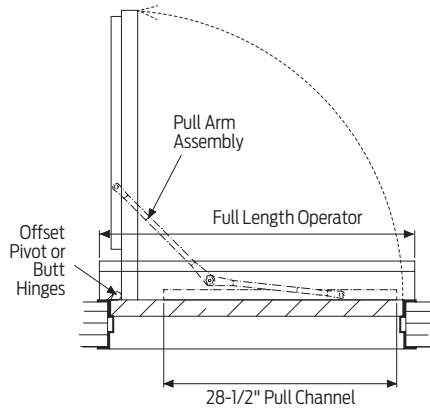
# 9130 Series Benchmark

## Mounting details

### Top Jamb Single Door Mounting



**Offset/butt hinge, center pivot, pull, standard cover**



**Offset/butt hinge, center pivot, pull, full cover**

<b>Butt Hinges</b>	Should not exceed 5" (127 mm) in width
<b>Reveal</b>	Should not exceed 1/8" (3 mm)
<b>Head Frame</b>	Minimum 2" (51 mm)
<b>Top Rail</b>	Minimum 2" (51 mm)
<b>Opening and Closing Time</b>	<ul style="list-style-type: none"> <li>Variable by adjustments to the electronic control module located on the operator assembly</li> <li>Maximum hold open time adjustable up to approximately 30 seconds</li> </ul>
<b>System Diagram</b>	See "AUTOMATIC OPERATORS" section page 51 for typical system wiring and page 53 for electrical data
<b>Maximum Opening</b>	Template allows 90 degree power opening and 90 degree manual opening

**Notes:**

- Push 'N Go permits non-switch activation with a microprocessor control box that ensures reliability and maintains customer settings
- Power boost allows for increased closing force near latch
- On/off switch is included as standard
- All potentiometers are clearly labeled with their functions
- LED lights indicate power to control box and motor gearbox

### Motor Gearbox



**9130-3454S**  
Motor Gearbox Assembly

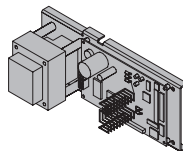
- Driving mechanism for operator (switch included)
- For 27" unit



**9130-3454**  
Motor Gearbox Assembly  
(W/O Switch)

- Driving mechanism for operator (switch not included)
- For full length 36" unit

### Control Box



**9130-3462**  
Control Box (120v)

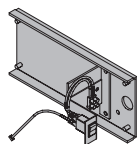
- Electronic controlling device with power supply output and power boost feature for Benchmark

### Brackets



**9130-3018**  
Mounting Bracket

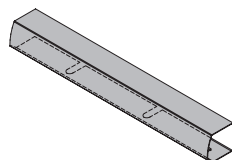
- Standard



**9130-3351-2**  
Switch Bracket

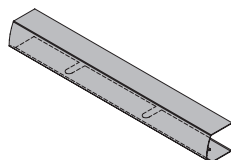
- 41" cable
- Bracket used to locate switch at end of cover on full length unit

### Covers



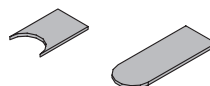
**9130-72MC**  
Metal Cover

- Non-handed
- 27"
- Extruded aluminum
- Standard



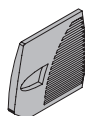
**9130-72FC**  
Full Metal Cover

- Non-handed
- 36"
- Extruded aluminum



**9130-163**  
Cover Insert

- Used to cover operator shaft opening (includes 2 pieces)



**9130-163-1**  
Cover End Cap Insert

- Used to cover switch hole opening



**9130-334**  
Cover End Cap

- Black plastic
- Includes 9130-163-1 cover and cap insert

# 9130 Series Benchmark

Accessories

## Tracks



**9130-3038**  
Standard Track

- Non-handed
- Standard



**9130-73**  
Track End Cap

- Black plastic



**9130-3034**  
Roller Assembly

- Quiet low friction

## Arms



**9130-3077T**  
Standard Arm

- Non-handed
- Track roller not included



**9130-3077PLCM**  
Standard Arm

- Non-handed
- Standard non-handed track

**How-to-order 9130 Series closers**

**Specify Finish**

- Standard Anodized Finish \_\_\_\_\_  
Aluminum or Dark Bronze

**Operator options**

**Cover**

- 36" Full Cover

**Operator will be shipped with:**

- Standard motor gearbox
- Standard control box
- Mounting bracket
- 27" metal cover
- Standard arm (3077t)
- Standard track w/track roller
- Wood and machine screw pack  
unless options listed below are selected

**Table of sizes**



→ Indicates recommended range of door width for operator.

*NOTE: For All Benchmark Series.  
30" minimum door width for 27" pull operator.  
36" door width only for full length pull operator.*

