

### 1 Description

LCN introduces its new stainless steel pushplate line. These pushplates are designed to fit into standard electrical gang boxes, and/or LCN's line of plastic enclosures. The faceplate is made of 1/16" thick stainless steel for durability, and has concealed fasteners to minimize vandalism. The pushplates may be hard wired to the door operator or connected to LCN's line of radio-controlled transmitters. Part numbers are shown below.



### 2 Specifications

| DESCRIPTION   | 4.5" ROUND    | 6" ROUND      | 4.75" SQUARE          | JAMB                  |
|---------------|---------------|---------------|-----------------------|-----------------------|
| LOGO          | 8310-856      | 8310-852      | 8310-853              | 8310-818              |
| LOGO AND TEXT | 8310-856T     | 8310-852T     | 8310-853T             | 8310-818T             |
|               |               |               |                       |                       |
| SIZE          | 4.50" X 0.62" | 6.00" X 0.62" | 4.75" X 4.75" X 0.62" | 1.50" X 4.75" X 0.62" |

### 3 Precautions



- Shut off all power going to header before attempting any wiring procedures.
- Maintain a clean & safe environment when working in public areas.
- Constantly be aware of pedestrian traffic around the door area.
- Always stop pedestrian traffic through the doorway when performing tests that may result in unexpected reactions by the door.
- ESD electrostatic discharge: Circuit boards are vulnerable to damage by electrostatic discharge. Before handling any board ensure you dissipate your body's charge.
- Always check placement of all wiring before powering up to insure that moving door parts will not catch any wires and cause damage to equipment.
- Ensure compliance with all applicable safety standards (i.e. ANSI A156.10/19) upon completion of installation.
- DO NOT attempt any internal repair of the sensor. All repairs and/or component replacements must be performed by LCN Inc. Unauthorized disassembly or repair:
  1. May jeopardize personal safety and may expose one to the risk of electrical shock.
  2. May adversely affect the safe and reliable performance of the product will result in a voided product warranty.

### 4 Accessories

PLASTIC ENCLOSURES - Wide Range of Surface and Flush Mount Electrical Boxes.

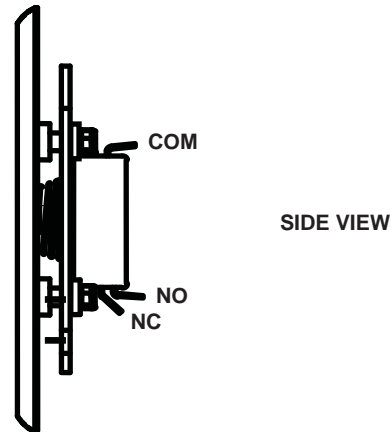
RADIO CONTROLLED TRANSMITTERS & RECEIVERS - 433 MHz Digital Transmitters and Receivers.

BOLLARD - Steel Pushplate Mounting Post Available in Black, Bronze and Silver for use with 4 1/2" Round & 4 3/4" Square Pushplates.

ESCUTCHEON - Stainless Steel Mounting Plate for 4.5" & 6" Round Pushplates.

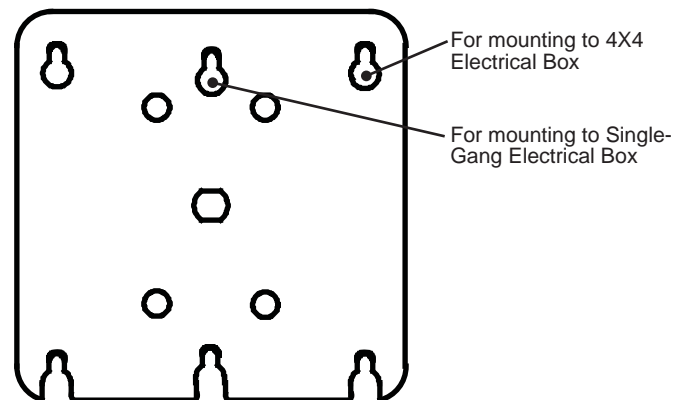
## 5 Installation

1. Wire the pushplate to the door controller or radio controlled transmitter using the NO or NC contacts and common.



2. Finger-tighten the enclosed hex-head screws into the electrical enclosure.

**NOTE:** The 6" round and the 4 3/4" square pushplate there are two different sized screws. The larger screws (#8) are for the corner locations on 4X4 electrical type boxes and the two smaller screws (#6) are for the single-gang electrical type boxes.



3. Place the pushplate holes over the hex-head screws. Use the enclosed hex key to fully tighten the screws.
4. Test for proper pushplate activation.

BACK OF SQUARE & ROUND PUSHPLATES

## 6 Cleaning Operations

The pushplates are constructed with durable stainless steel and painted with scuff-resistant coatings. To clean the plates, use only a damp, non-abrasive cloth. Regular cleaning with harsh solvents or abrasive materials may cause deterioration of the paint coating. Please make the end-user aware of this procedure.

## 7 Company Contact

**LCN**®



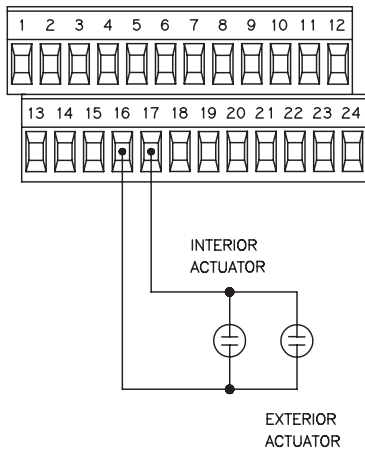
Do not leave problems unresolved. If a satisfactory solution cannot be achieved after troubleshooting a problem, please contact LCN at 1-800-526-2400. If you must wait for the following workday to call LCN, leave the door inoperable until satisfactory repairs can be made. Never sacrifice the safe operation of the automatic door or gate for an incomplete solution.

For more information, visit [www.lcn.ingersollrand.com](http://www.lcn.ingersollrand.com).

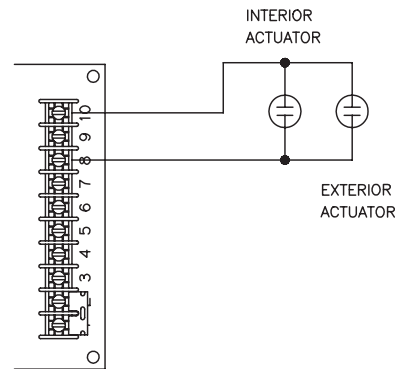
# Appendix - Wiring Diagram

## 8310 SERIES HARDWIRED ACTUATOR SINGLE DOOR WIRING

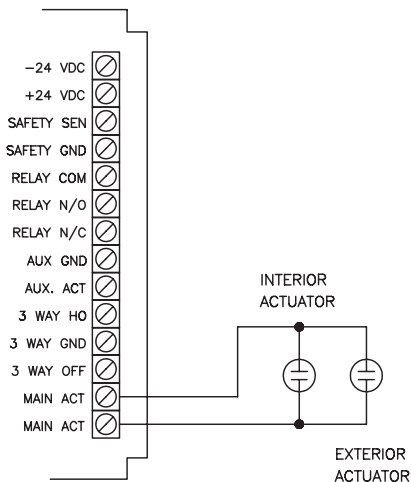
4630/4640 SERIES  
ELECTRIC AUTO-EQUALIZER



7900 SERIES  
PNEUMATIC AUTO-EQUALIZER



9100 SERIES  
BENCHMARK



SENIOR SWING – 2800/9500 SERIES  
MID SWING – 2900/9700 SERIES

