

4040XP Series



The 4040XP is LCN's most durable and flexible heavy duty closer designed for institutional and other demanding high traffic applications.

Features

Certifications	Grade 1 - ANSI A156.4, UL 10C, ADA, 100 hour salt spray, meets BAA - Buy American Act
Body construction	<ul style="list-style-type: none"> Cast iron body Full complement bearing 1 1/2" diameter piston Double heat treated pinion journal
Fluid	All weather liquid X fluid
Handing	Non-handed
Templating	Peel-n-Stick templates - 2 1/4" x 5" mounting hole pattern
Size	Adjustable spring size 1-6, includes patented green dial
Warranty	30 years

Cover	<ul style="list-style-type: none"> Plastic, standard Metal, optional
Fasteners	Self reaming and tapping screws (SRT)
Mounting	Hinge (pull side), top jamb (push side), parallel arm (push side)
Arms	Regular arm
Finishes/colors/ powder coat	<ul style="list-style-type: none"> 689 Aluminum 690 Statuary bronze 691 Light bronze 693 Black 695 Dark bronze 696 Brass Custom colors optional
	<ul style="list-style-type: none"> Optional SRI primer - powder coat only Optional plated finishes

Special templates

Customized installation templates or products may be available to solve non-standard applications. Contact LCN Product Support for assistance.

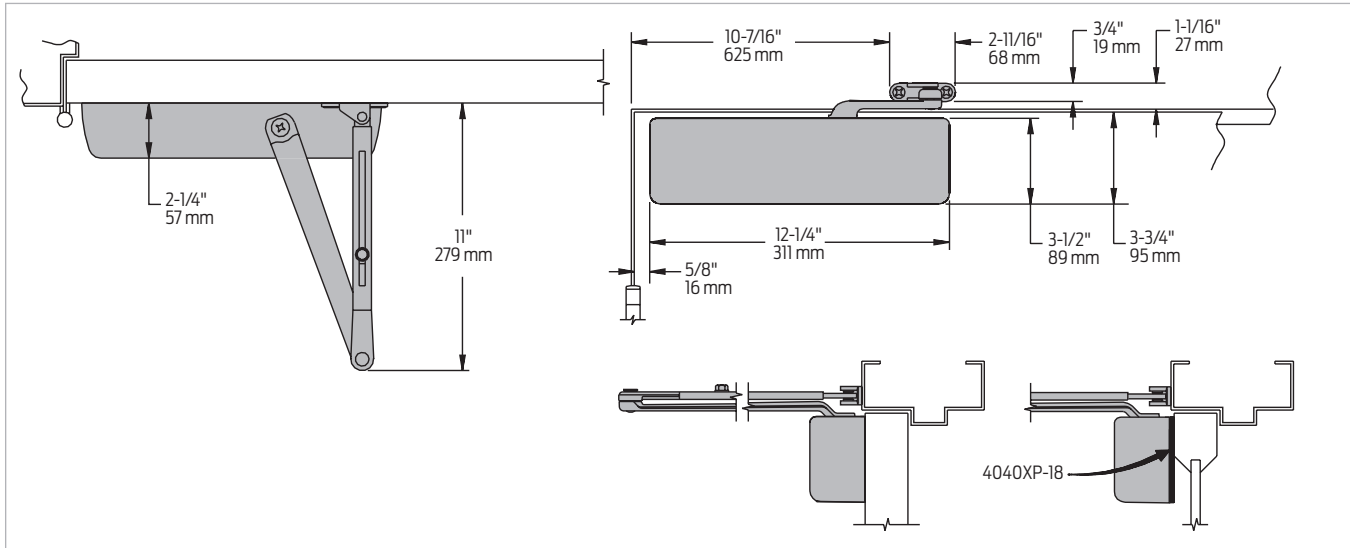
Mounting	Finish	Cover	Cylinder	Arm function*
Hinge (pull) side	Plastic	Non-handed	120°	Regular (double)
Top jamb (pull)	Metal	Non-sized	120°	Standard (single)
Top jamb (push)		Accessibility	180°	Hold-open
Parallel arm		Delayed action**	110°	Fusible link
Stop face		AVB**	110°	EDA/HEDA
Powder coat				CUSH/HCUSH
Plated				SCUSH/SHCUSH
				Double egress

- Available
- Not available

* Closer available with less than 5.0 lbs. opening force on 36" door.
 * Maximum opening/hold-open point with standard template.
 ** Advanced Variable Backcheck.
 *** Delay feature incorporates standard 4040 cylinder (not XP).

Mounting details

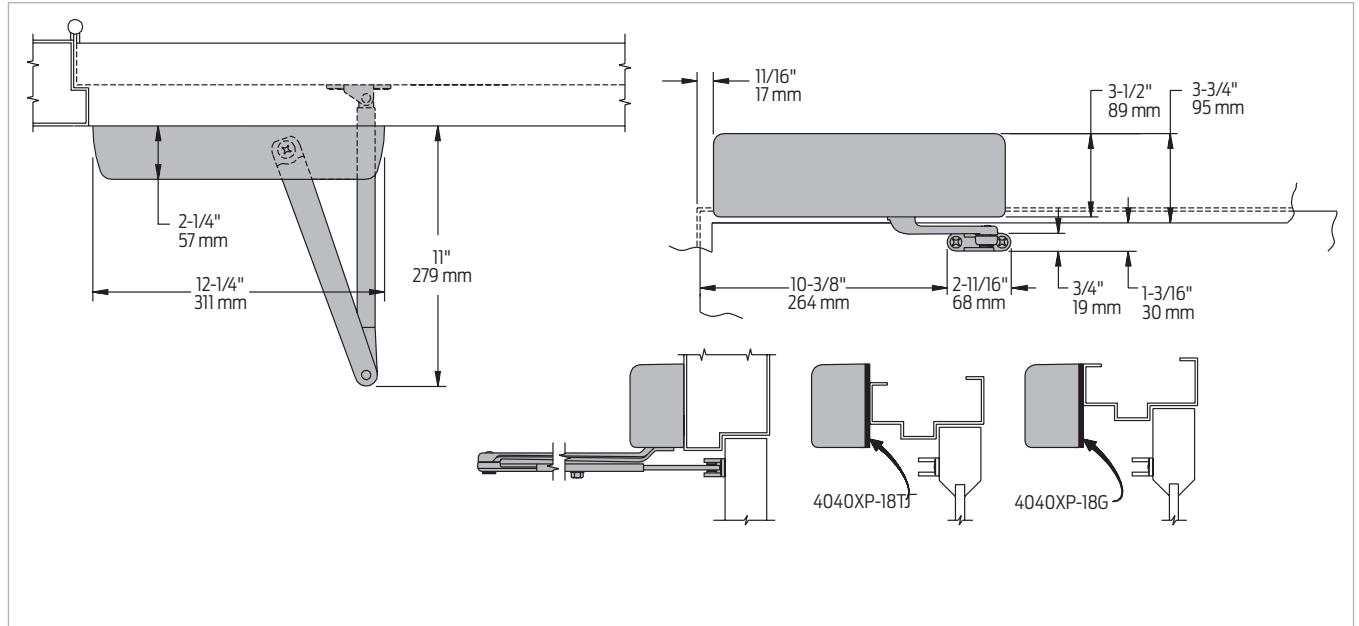
Hinge (pull) side mounting



Butt hinges	<ul style="list-style-type: none"> Should not exceed 5" (127 mm) in width
Auxiliary stop	<ul style="list-style-type: none"> Recommended at hold-open point or where a door cannot swing beyond 120°
Reveal	<ul style="list-style-type: none"> Should not exceed 3/4" (19 mm) for regular arm or hold-open arm
Top rail	<ul style="list-style-type: none"> Less than 3 3/4" (95 mm) requires PLATE, 4040XP-18. Plate requires 2" (51 mm) minimum
Clearance	<ul style="list-style-type: none"> 2 3/8" (60 mm) behind door required for 90° installation
Delayed action	<ul style="list-style-type: none"> Incorporates standard 4041 cylinder Delays closing from 120° to 70° Delay time adjustable up to approximately 1 minute
Maximum opening	<ul style="list-style-type: none"> Templating allows up to 120° Hold-open points 90° up to 120° with hold-open arm.

Mounting details

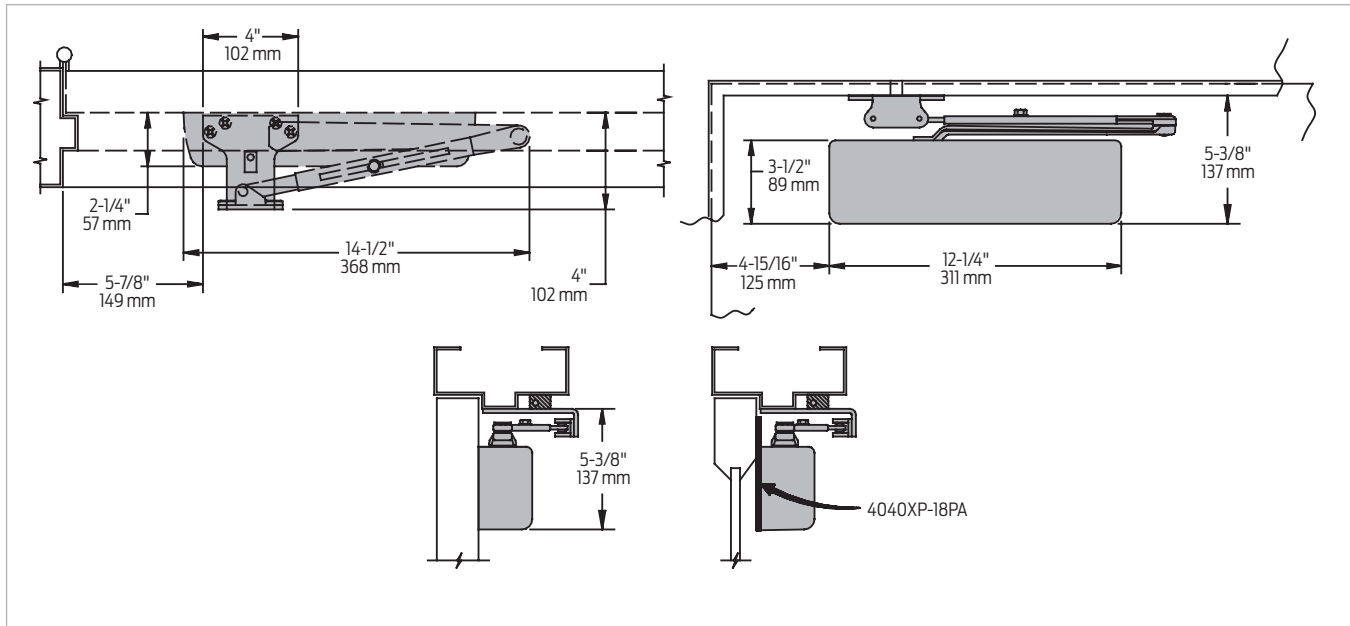
Top jamb (push) side mounting



Butt hinges	Should not exceed 5" (127 mm) in width		
Auxiliary stop	Recommended at hold-open point or where a door cannot swing beyond 120°		
Reveal	Arm type	Reveal	Max opening
	Regular arm	2 9/16"	Up to 120°
	Long	4 13/16"	Up to 120°
	Hold-open	2 9/16"	Up to 120°
	Long hold-open arm	8"	Up to 120°
Top rail	<ul style="list-style-type: none"> Requires 1 1/4" (32 mm) minimum 2 1/4" (57 mm) minimum with closer on PLATE, 4040XP-18TJ 3" (76 mm) minimum with closer on PLATE, 4040XP-18G 		
Head frame	<ul style="list-style-type: none"> Less than 3 1/2" (89 mm) requires PLATE, 4040XP-18TJ With flush ceiling, use PLATE, 4040XP-18G. Either plate requires 1 3/4" (44 mm) minimum 		
Maximum opening	<ul style="list-style-type: none"> Templating allows up to 120° Hold-open points 85° up to 120° with hold-open arm. 		
Delayed action	<ul style="list-style-type: none"> Incorporates standard 4041 cylinder Delays closing from 120° to 70° Delay time adjustable up to approximately 1 minute 		

Mounting details

Parallel arm (push) side mounting



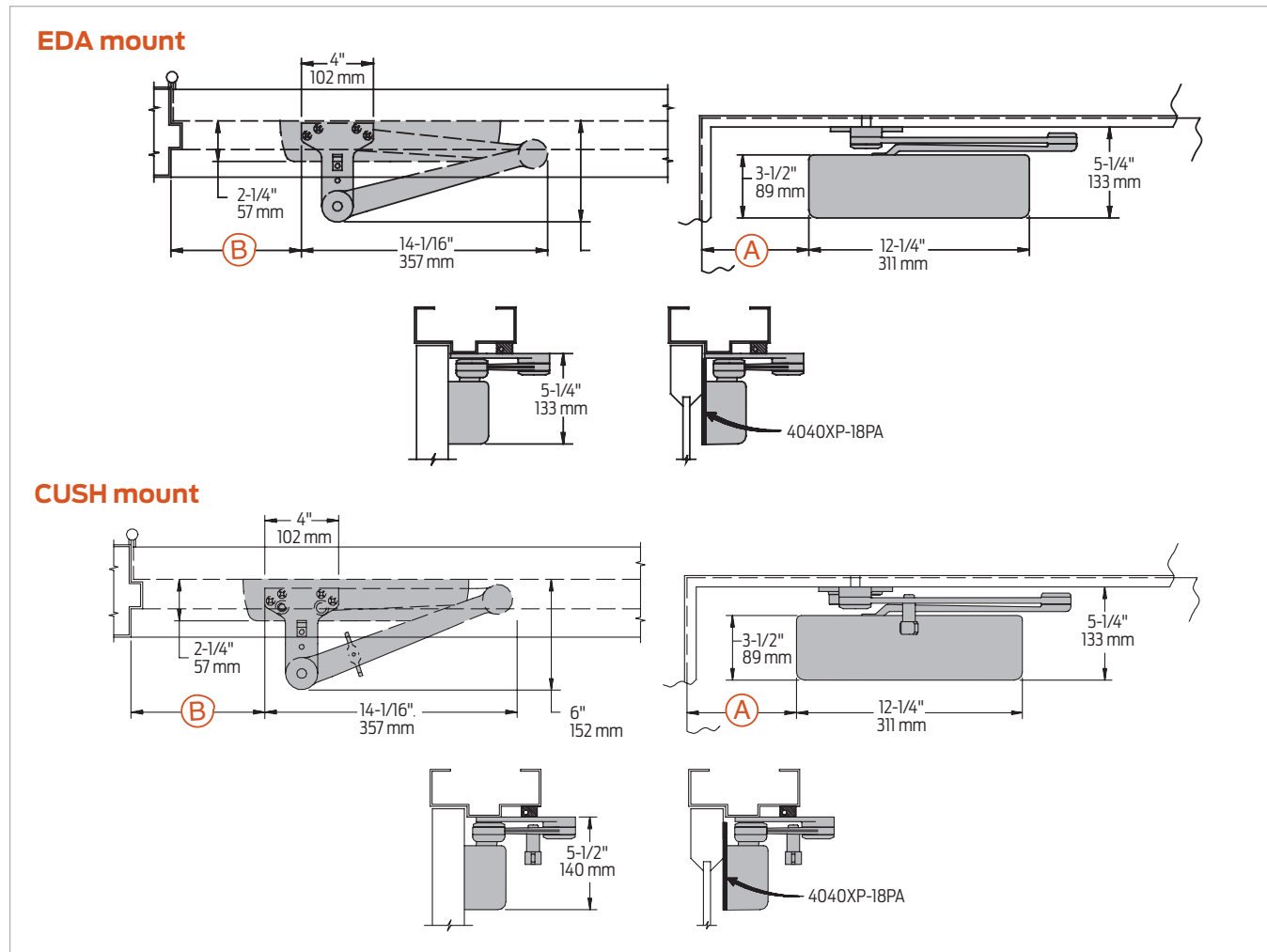
Butt hinges	Should not exceed 5" (127 mm) in width
Auxiliary stop	Recommended at hold-open point, where the door cannot swing 180°, or where Cush-N-Stop arm is not used
Reveal	Should not exceed 7/32" (6 mm)
Top rail	Less than 5 3/8" (137 mm) measured from the stop requires plate, 4040XP-18PA. Plate requires 2" (51 mm) minimum from the stop
Head frame	Flush or rabbeted requires PA shoe adapter, 4040XP-419
Stop width	Minimum 1" (25 mm). CUSH arm requires minimum 1 1/2" (38 mm)
Blade stop	Clearance requires 1/2" (13mm) blade stop spacer, 4040XP-61.
Clearance	<ul style="list-style-type: none"> 4040XP-62PA shoe is 4" (102 mm) from door face. EDA shoe projects 5 1/2" (140 mm) from door face. CUSH shoe projects 6" (152 mm) from door face
Delayed action	<ul style="list-style-type: none"> Incorporates standard 4041 cylinder, without XP cylinder Delays closing from 120° to 70° Delay time adjustable up to approximately 1 minute.
Maximum opening	<ul style="list-style-type: none"> 180° opening/hold-open points with all except CUSH arms 110° opening/hold-open with CUSH arms

Notes:

- Optional mounting requires PA shoe, 4040XP-62PA for regular or hold-open arms
- Add prefix "P" to closer description (eg. P4040XP)
- P4040XP closer includes 4040XP-201 fifth hole spacer to support PA shoe

Mounting details

EDA and CUSH mounting



Clearance	4040XP-62EDA is 5 1/2" (140 mm) from door face. 6" (152 mm) for CUSH	
Head frame	Flush or rabbeted requires CUSH FLUSH PANEL ADAPTER, 4040XP-419	
CUSH ARM	Requires SHOE SUPPORT, 4040XP-30 for fifth screw anchorage where reveal is less than 3 1/16" (78 mm)	
Delayed action	<ul style="list-style-type: none"> • Incorporates standard 4041 cylinder, without XP cylinder. • Delays closing from maximum opening to ; 115° with 180° template, 95° with 110° template, 85° with 100° template, 75° with 90° template. Delay time adjustable up to approximately 1 minute. 	
Maximum opening	EDA arm can be templated for points at:	CUSH arms can be templated for opening/hold-open point at:
	110°: A = 6 3/8" (162 mm) B = 7 3/4" (197 mm)	85°: A = 7 15/16" (202 mm) B = 9 1/8" (232 mm)
	or 180°: A = 2 7/8" (73 mm) B = 4 1/4" (108 mm)	90°: A = 7 3/16" (183 mm) B = 8 1/2" (216 mm)
	Hold-open points up to maximum opening with HEDA arm	100°: A = 6 1/16" (154 mm) B = 7 1/4" (184 mm)
		or 110°: A = 5 1/16" (129 mm) B = 6 3/8" (162 mm)

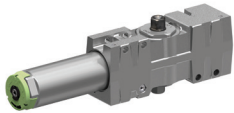
Notes:

- 4040XP Series closers ordered with EDA or CUSH arms include 4040XP-201 FIFTH HOLE SPACER to support the shoe
- Spring Cush stop points are approximately 5° more than templated stop point
- Hold open at templated stop points

Introduction
 Product selection guide
 4010/4010T Series
 4020/4020T Series
 4030/4030T Series
 4040XP/4040XPT Series
 4050A/4050AT Series
 4110/4110T Series
 4000T Series

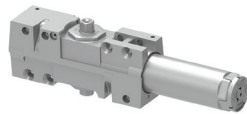
Accessories

Cylinders



4040XP-3071
Cast iron cylinder assembly

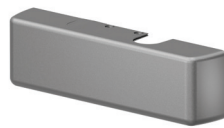
- Non-handed
- Heavy duty



4041-3071 DEL
Cast iron cylinder assembly

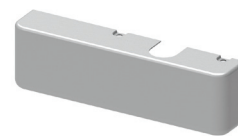
- Used for delayed action closing
- Non-handed
- Heavy duty

Covers



4040XP-72
Plastic cover

- Non-handed
- Includes 4040XP-54 snap-on cover clip



4040XP-72MC
Metal cover

- Handed
- Required for plated finishes and custom powder coat finishes
- Optional

Arms



4040XP-3077
Regular arm

- Non-handed
- Mounts pull side or top jamb with shallow reveal P4041 closer includes PA SHOE, 4040XP-62PA required for parallel arm mounting



4040XP-3077L
Long arm

- Non-handed
- Includes LONG ROD AND SHOE, 4040XP-79LR for top jamb mount
- Optional



4040XP-3077ELR
Extra long arm

- Non-handed
- Includes EXTRA LONG ROD AND SHOE, 4040XP-79ELR for top jamb mount with deep reveal
- Optional



4040XP-3049
Hold-open arm

- Non-handed
- Mounts pull side or top jamb with shallow reveal, hold-open adjustable shoe
- 4040XP closer includes 4040XP-62PA shoe required for parallel arm mounting
- Optional



4040XP-3049L
Long hold-open arm

- Non-handed
- Includes LONG HEAD AND TUBE, 4040XP-3048L for top jamb mount
- Optional



4040XP-3077EDA
Extra duty arm

- Non-handed
- Features forged, solid steel main and forearm for potentially abusive installations
- Optional



4040XP-3049EDA
Hold-open extra duty arm

- Handed
- Parallel arm features forged, solid steel main and forearm for potentially abusive installations
- Hold-open function is adjusted at the shoe
- Optional



4040XP-3077EDA/62G
Extra duty arm with 62G

- Non-handed
- Features forged, solid steel main and forearm for potentially abusive installations
- 62G shoe provides additional blade stop clearance
- Optional



4040XP-3049EDA/62G
Hold-open extra duty arm with 62G

- Handed
- Features forged, solid steel main and forearm for potentially abusive installations
- 62G shoe provides additional blade stop clearance. Hold-open function is adjusted at the shoe
- Optional



4040XP-3077CNS
Cush-N-Stop® Arm

- Non-handed
- Features solid forged steel main arm and forearm with stop in soffit shoe.
- Optional



4040XP-3049CNS
HCUSH arm

- Non-handed
- Hold-open function with templated stop/hold-open points
- Handle controls hold-open function
- Optional

Accessories

Arms (cont.)



4040XP-3077SCNS

Spring CUSH arm

- Non-handed
- For potentially abusive applications features solid forged steel main arm and forearm with spring loaded stop in the soffit shoe
- Optional



4040XP-3049SCNS

Spring HCUSH arm

- Non-handed
- For potentially abusive applications features solid forged steel main arm and forearm with spring loaded stop in the soffit shoe
- Handle controls hold-open function
- Optional

Installation accessories



4040XP-18 Plate

- Required for hinge side mount where top rail is less than 3 3/4" (95 mm)
- Requires minimum 2" (51 mm) minimum top rail



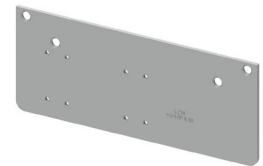
4040XP-18G Plate

- Locates top jamb mounted closer flush with top of head frame face in flush ceiling condition
- Requires 1 3/4" (44 mm) minimum head frame



4040XP-18TJ Plate

- Centers top jamb mounted closer vertically on head frame where face is less than 3 1/2" (89 mm). Plate requires 1 3/4" (44 mm) minimum head frame



4040XP-18PA Plate

- Required for parallel arm mounting where top rail is less than 5 1/2" (140 mm), measured from the stop
- Requires 2" (51 mm) minimum top rail



4040XP-62PA PA shoe

- Required for parallel arm mounting



4040XP-30 CUSH shoe support

- Provides anchorage for fifth screw used with CUSH arms, where reveal is less than 3 1/16" (78 mm)
- Optional



4040XP-61 Blade stop spacer

- Required to lower parallel arm shoe to clear 1/2" (13 mm) blade stop
- Optional



4040XP-419 PA flush panel adapter

- Provides horizontal mounting surface for parallel arm shoe on single rabbeted or flush frame
- Optional



4040XP-62A Auxiliary shoe

- Requires a top rail of 7" (178 mm)
- Shoe replaces -62PA for parallel arm mounting of regular arm with overhead holder/stop
- Optional



4040XP-54 Snap-on cover clip

- Used to secure 4040XP-72 plastic cover to cylinder body

Introduction
Product selection guide
4010/4010T Series
4020/4020T Series
4030/4030T Series
4040XP/4040XPT Series
4050A/4050AT Series
4110/4110T Series
4000T Series

Ordering information

How-to-order 4040XP Series closers

1. Select finish

- Standard powder coat _____
Aluminum, Dark Bronze, Statuary,
Light Bronze, Black, Brass.

Closer options

Cylinder

- Delayed action (4041 DEL)

Cover

- Metal (specify right or left hand)(MC)

Finish

- Custom powder coat (RAL) _____
(handed metal cover required)
- Plated finish, US _____
(handed metal cover required)
- SRI primer
(use with powder coat finishes only)

Arm

- Regular (REG)
- Regular w/62PA (Rw/PA)
- Regular w/62A (R/62A)
- Long (LONG)
- Extra long (XLONG)
- Hold-open (H)
- Hold-open w/62PA (Hw/PA)
- Long hold-open (HLONG)

Closer will be shipped with:

- Standard cylinder
- Standard cover
- Regular arm
- Self-reaming and tapping screws
(unless options listed below are selected)

- Extra duty arm (EDA)
- Extra duty arm with 62G (EDA/62G)
- Hold-open extra duty arm (HEDA) (handed)
- Cush-N-Stop (CUSH)
- HCush-N-Stop (HCUSH)
- Spring CUSH (SCUSH)
- Spring HCUSH (SHCUSH)

Optional screw packs

- TB¹ and SRT screw (TBSRT)
- Wood and machine screw (WMS)
- TB¹, wood and machine screw (TBWMS)
- TORX machine screw (TORX)
- TB¹ and TORX machine screw (TBTRX)

Installation accessories

- Plate, 4040XP-18
- Plate, 4040XP-18TJ

- Plate, 4040XP-18G
- Plate, 4030-18PA
- CUSH shoe support, 4040XP-30
- Blade stop spacer, 4040XP-61
- Auxiliary shoe, 4040XP-62A
- PA flush panel adapter, 4040XP-419

Special template

- ST- _____

1. Specify door thickness if other than 1 3/4".

Table of sizes

- 4040XP cylinders are adjustable from size 1 through size 6 and is shipped set to size 3
- Closing power of 4040XP Series closers may be adjusted 50%

Exterior (and vestibule) door width



Interior door width




→ Indicates recommended range of door width for closer size.
* Adjustable Size 1 thru 5.

Reduced opening force 4040XP Series closers

CAUTION! Any manual door closer, including those certified by BHMA to conform to ANSI Standard A156.4, that is selected, installed and adjusted based on ADA or other reduced opening force requirements may not provide sufficient power to reliably close and latch a door.

Refer to Automatic Operators section for information on systems that meet reduced opening force requirements without effecting closing power.

	Door width 36"	42"	48"
	8.5* lbs.	4040XP 4040XP	4040XP
	5.0* lbs.	4040XP 4040XP	4040XP

* Maximum opening force.