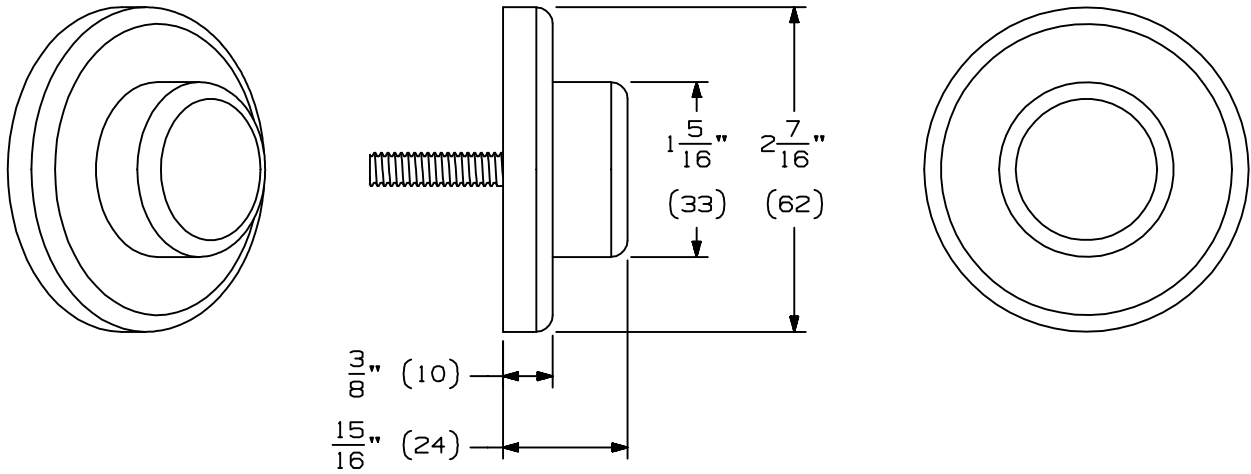
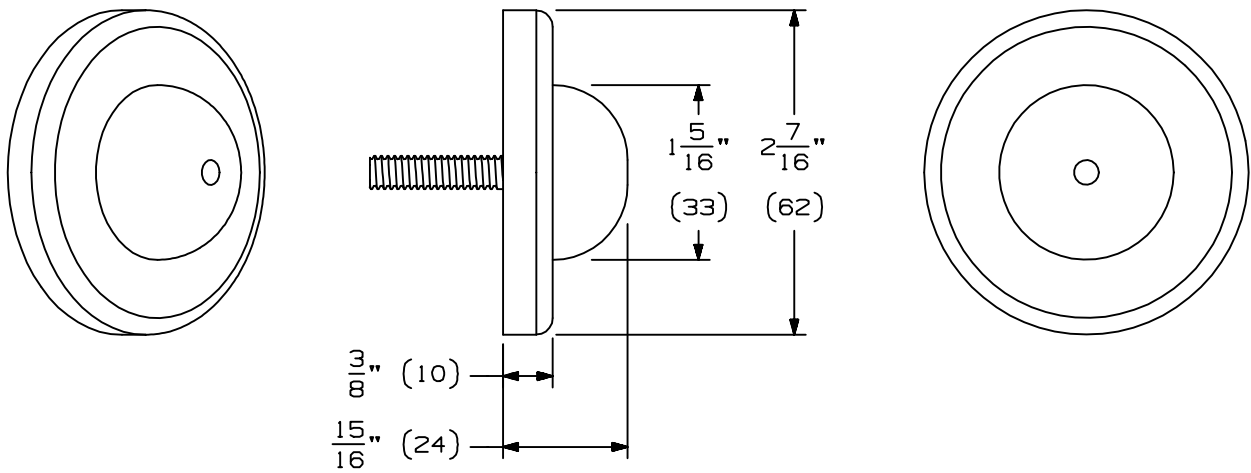


WS406CCV & WS407CCV



WS406CVX & WS407CVX



INSTRUCTIONS FOR WS406:

1. PLACE BUMPER ON WALL AND LOCTE THE MOUNTING HOLE.
2. DRILL A $\frac{1}{4}$ " (6) DIAMETER HOLE.
3. INSERT PLASTIC ANCHOR IN HOLE.
4. USING A #2 PHILLIPS SCREWDRIVER, MOISTEN TIP OF SCREWDRIVER.
5. FORCE SCREWDRIVER THRU SMALL HOLE IN CENTER OF RUBBER TO GET TO HEAD OF SCREWDRIVER.
6. ALLOW BUMPER TO ROTATE AS SCREW IS TIGHTENED.

INSTRUCTIONS FOR WS407:

1. PLACE BUMPER ON WALL AND LOCTE THE MOUNTING HOLE.
2. DRILL A $\frac{5}{16}$ " (8) DIAMETER HOLE.
3. INSERT DRY WALL ANCHOR IN HOLE.
4. USING A #2 PHILLIPS SCREWDRIVER, MOISTEN TIP OF SCREWDRIVER.
5. FORCE SCREWDRIVER THRU SMALL HOLE IN CENTER OF RUBBER TO GET TO HEAD OF SCREWDRIVER.
6. ALLOW BUMPER TO ROTATE AS SCREW IS TIGHTENED.

	QTY	SCREW DETAILS
WS406	1	#10 X 1" FPHSMS
	1	#10 PLASTIC ANCHOR
WS407	1	#8 X 1 $\frac{1}{4}$ " OPHWS
	1	DRY WALL ANCHOR



WS406CCV, WS406CVX,
WS407CCV & WS407CVX
WALL BUMPER INSTRUCTION



NOTE: DIMENSIONS IN () ARE IN MILLIMETERS

TEMPLATE NUMBER:

INST.WS406-407_B

DATE:
05-29-15